



Altos G330 Mk2 Installation Configuration Guide

Abstract

This document provides you a quick OS installation guide on Altos G330 Mk2, including Windows Server 2008, Windows Serer 2008 x64 Edition, Windows Server 2003 R2, Windows Server 2003 R2 x64 Edition, Windows 2000, Red Hat Enterprise Linux 5.0 (32-bit & 64-bit) and SuSE Linux Enterprise Server 10 (32-bit & 64-bit), Windows XP and Windows Vista.

Version: 1.1

May 2008

© 2007 Acer Incorporation. All rights reserved.

This paper is for informational purposes only. ACER MAKES NO WARRANTIES, EXPRESS OR IMPLIED, IN THIS DOCUMENT.

Acer, Acer Altos are registered trademarks or trademarks of Acer Incorporation.

Other product or company names mentioned herein may be the trademarks of their respective owners.

CONTENTS

INTRODUCTION.....	1
Where Can I Download the Latest Altos G330 Mk2 Installation Configuration Guide	1
HARDWARE SPECIFICATION	2
BOARD LAYOUT	4
System Block Diagram	4
DIMM POPULATION GUIDELINE	5
Memory population	5
OS INSTALLATION TIPS	6
Windows Server 2008 Enterprise x64 Edition Installation (with onboard SATA RAID)	7
BIOS Required	7
Drivers Required	7
Software Required	7
Configuring onboard SATA RAID	7
Installation Tips	7
Chipset Driver Package Installation	8
Gigabit Ethernet Driver Installation	8
VGA Driver Installation	8
TPM Driver Installation (optional)	8
RAID Utility Installation	9
Network Utility Installation	9
Windows Server 2008 Enterprise x64 Edition Installation (with LSI MegaRAID SAS 8204ELP)	9
BIOS Required	9
Drivers Required	9
Software Required	10
Configuring LSI MegaRAID SAS 8204ELP	10
Installation Tips	10
Chipset Driver Package Installation	10
Gigabit Ethernet Driver Installation	10
VGA Driver Installation	11
TPM Driver Installation (optional)	11
RAID Utility Installation	11
Network Utility Installation	11
Windows Server 2008 Enterprise x64 Edition Installation (with LSI MegaRAID SAS 8708ELP)	11
BIOS Required	11
Drivers Required	11
Software Required	12
Configuring LSI MegaRAID SAS 8708ELP	12
Installation Tips	12

Chipset Driver Package Installation	12
Gigabit Ethernet Driver Installation	12
VGA Driver Installation	13
TPM Driver Installation (optional)	13
RAID Utility Installation	13
Network Utility Installation	13
Windows Server 2008 Enterprise Edition Installation (with onboard SATA RAID)	13
BIOS Required	13
Drivers Required	13
Software Required	14
Configuring onboard SATA RAID	14
Installation Tips	14
Chipset Driver Package Installation	14
Gigabit Ethernet Driver Installation	14
VGA Driver Installation	15
TPM Driver Installation (optional)	15
RAID Utility Installation	15
Network Utility Installation	15
Windows Server 2008 Enterprise Edition Installation (with LSI MegaRAID SAS 8204ELP)	16
BIOS Required	16
Drivers Required	16
Software Required	16
Configuring LSI MegaRAID SAS 8204ELP	16
Installation Tips	16
Chipset Driver Package Installation	17
Gigabit Ethernet Driver Installation	17
VGA Driver Installation	17
TPM Driver Installation (optional)	17
RAID Utility Installation	17
Network Utility Installation	17
Windows Server 2008 Enterprise Edition Installation (with LSI MegaRAID SAS 8708ELP)	18
BIOS Required	18
Drivers Required	18
Software Required	18
Configuring LSI MegaRAID SAS 8708ELP	18
Installation Tips	18
Chipset Driver Package Installation	19
Gigabit Ethernet Driver Installation	19
VGA Driver Installation	19
TPM Driver Installation (optional)	19
RAID Utility Installation	19
Network Utility Installation	19

Windows Server 2003 R2 x64 Enterprise Edition SP2 Installation (with onboard SATA RAID)	20
Drivers Required	20
Software Required	20
Configuring onboard SATA RAID	20
Installation Tips	20
Chipset Driver Package Installation	20
Gigabit Ethernet Driver Installation	21
VGA Driver Installation (onboard XGI Z9s)	21
RAID Utility Installation	21
Network Utility Installation	22
Windows Server 2003 R2 x64 Enterprise Edition SP2 Installation (with LSI MegaRAID SAS 8204ELP)	22
Drivers Required	22
Software Required	22
Configuring LSI MegaRAID SAS 8204ELP	22
Installation Tips	23
Chipset Driver Installation	23
Gigabit Ethernet Driver Installation	23
VGA Driver Installation (onboard XGI Z9s)	23
RAID Utility Installation	23
Network Utility Installation	23
Windows Server 2003 R2 x64 Enterprise Edition SP2 Installation (with LSI MegaRAID SAS 8708ELP)	23
Drivers Required	23
Software Required	24
Configuring LSI MegaRAID SAS 8708ELP	24
Installation Tips	24
Chipset Driver Installation	24
Gigabit Ethernet Driver Installation	24
VGA Driver Installation (onboard XGI Z9s)	25
RAID Utility Installation	25
Network Utility Installation	25
Windows Server 2003 R2 Enterprise Edition SP2 Installation (with onboard SATA RAID)	25
Drivers Required	25
Software Required	25
Configuring onboard SATA RAID	26
Installation Tips	26
Chipset Driver Installation	26
Gigabit Ethernet Driver Installation	26
VGA Driver Installation (onboard XGI Z9s)	26
RAID Utility Installation	27
Network Utility Installation	27
Windows Server 2003 R2 Enterprise Edition SP2 Installation (with LSI MegaRAID SAS 8204ELP)	27

Drivers Required	27
Software Required	27
Configuring LSI MegaRAID SAS 8204ELP	28
Installation Tips	28
Chipset Driver Installation	28
Gigabit Ethernet Driver Installation	28
VGA Driver Installation (onboard XGI Z9s)	28
RAID Utility Installation	28
Network Utility Installation	29
Windows Server 2003 R2 Enterprise Edition SP2 Installation (with LSI MegaRAID SAS 8708ELP)	29
Drivers Required	29
Software Required	29
Configuring LSI MegaRAID SAS 8708ELP	29
Installation Tips	29
Chipset Driver Installation	30
Gigabit Ethernet Driver Installation	30
VGA Driver Installation (onboard XGI Z9s)	30
RAID Utility Installation	30
Network Utility Installation	30
Windows 2000 Advanced Server SP4 Installation (with LSI MegaRAID SAS 8204ELP)	30
Drivers Required	30
Software Required	31
Configuring LSI MegaRAID SAS 8204ELP	31
Installation Tips	31
Chipset Driver Installation	31
Gigabit Ethernet Driver Installation	31
VGA Driver Installation (onboard XGI Z9s)	32
RAID Utility Installation	32
Network Utility Installation	32
Windows 2000 Advanced Server SP4 Installation (with LSI MegaRAID SAS 8708ELP)	32
Drivers Required	33
Software Required	33
Configuring LSI MegaRAID SAS 8708ELP	33
Installation Tips	33
Chipset Driver Installation	33
Gigabit Ethernet Driver Installation	34
VGA Driver Installation (onboard XGI Z9s)	34
RAID Utility Installation	34
Network Utility Installation	34
Windows Vista x64 Enterprise Edition Installation (with onboard SATA RAID)	34
Drivers Required	34
Software Required	34

Configuring onboard SATA RAID	35
Installation Tips	35
Chipset Driver Installation	35
Gigabit Ethernet Driver Installation	35
VGA Driver Installation (onboard XGI Z9s)	36
TPM Driver Installation (Optional)	36
RAID Utility Installation	36
Network Utility Installation	36
Windows Vista x64 Enterprise Edition Installation (with LSI MegaRAID SAS 8204ELP)	37
Drivers Required	37
Software Required	37
Configuring LSI MegaRAID SAS 8204ELP	37
Installation Tips	37
Chipset Driver Installation	38
Gigabit Ethernet Driver Installation	38
VGA Driver Installation (onboard XGI Z9s)	38
TPM Driver Installation (Optional)	38
RAID Utility Installation	38
Network Utility Installation	38
Windows Vista x64 Enterprise Edition Installation (with LSI MegaRAID SAS 8708ELP)	39
Drivers Required	39
Software Required	39
Configuring LSI MegaRAID SAS 8708ELP	39
Installation Tips	39
Chipset Driver Installation	40
Gigabit Ethernet Driver Installation	40
VGA Driver Installation (onboard XGI Z9s)	40
TPM Driver Installation (Optional)	40
RAID Utility Installation	40
Network Utility Installation	40
Windows Vista Enterprise Edition Installation (with onboard SATA RAID)	40
Drivers Required	41
Software Required	41
Configuring onboard SATA RAID	41
Installation Tips	41
Chipset Driver Installation	42
Gigabit Ethernet Driver Installation	42
VGA Driver Installation (onboard XGI Z9s)	42
TPM Driver Installation (Optional)	42
RAID Utility Installation	43
Network Utility Installation	43
Windows Vista Enterprise Edition Installation (with LSI MegaRAID SAS 8204ELP)	43
Drivers Required	43

Software Required	44
Configuring LSI MegaRAID SAS 8204ELP	44
Installation Tips	44
Chipset Driver Installation	44
Gigabit Ethernet Driver Installation	44
VGA Driver Installation (onboard XGI Z9s)	44
TPM Driver Installation (Optional)	45
RAID Utility Installation	45
Network Utility Installation	45
Windows Vista Enterprise Edition Installation (with LSI MegaRAID SAS 8708ELP)	45
Drivers Required	45
Software Required	45
Configuring LSI MegaRAID SAS 8708ELP	46
Installation Tips	46
Chipset Driver Installation	46
Gigabit Ethernet Driver Installation	46
VGA Driver Installation (onboard XGI Z9s)	46
TPM Driver Installation (Optional)	46
RAID Utility Installation	47
Network Utility Installation	47
Windows XP x64 Professional Edition SP2 Installation (with onboard SATA RAID)	47
Drivers Required	47
Software Required	47
Configuring onboard SATA RAID	47
Installation Tips	47
Chipset Driver Package Installation	48
Gigabit Ethernet Driver Installation	48
VGA Driver Installation (onboard XGI Z9s)	48
RAID Utility Installation	49
Network Utility Installation	49
Windows XP x64 Professional Edition SP2 Installation (with LSI MegaRAID SAS 8204ELP)	49
Drivers Required	49
Software Required	49
Configuring LSI MegaRAID SAS 8204ELP	50
Installation Tips	50
Chipset Driver Package Installation	50
Gigabit Ethernet Driver Installation	50
VGA Driver Installation (onboard XGI Z9s)	50
RAID Utility Installation	50
Network Utility Installation	50
Windows XP x64 Professional Edition SP2 Installation (with LSI MegaRAID SAS 8708ELP)	51
Drivers Required	51

Software Required	51
Configuring LSI MegaRAID SAS 8708ELP	51
Installation Tips	51
Chipset Driver Package Installation	52
Gigabit Ethernet Driver Installation	52
VGA Driver Installation (onboard XGI Z9s)	52
RAID Utility Installation	52
Network Utility Installation	52
Windows XP Professional Edition SP2 Installation (with onboard SATA RAID)	52
Drivers Required	52
Software Required	53
Configuring onboard SATA RAID	53
Installation Tips	53
Chipset Driver Installation	53
Gigabit Ethernet Driver Installation	53
VGA Driver Installation (onboard XGI Z9s)	54
RAID Utility Installation	54
Network Utility Installation	54
Windows XP Professional Edition SP2 Installation (with LSI MegaRAID SAS 8204ELP)	55
Drivers Required	55
Software Required	55
Configuring LSI MegaRAID SAS 8204ELP	55
Installation Tips	55
Chipset Driver Package Installation	56
Gigabit Ethernet Driver Installation	56
VGA Driver Installation (onboard XGI Z9s)	56
RAID Utility Installation	56
Network Utility Installation	56
Windows XP Professional Edition SP2 Installation (with LSI MegaRAID SAS 8708ELP)	56
Drivers Required	56
Software Required	56
Configuring LSI MegaRAID SAS 8708ELP	57
Installation Tips	57
Chipset Driver Package Installation	57
Gigabit Ethernet Driver Installation	57
VGA Driver Installation (onboard XGI Z9s)	57
RAID Utility Installation	57
Network Utility Installation	58
Red Hat Enterprise Linux 5.0 EM64T Installation (with onboard SATA RAID)	58
Drivers Required	58
Software Required	58
Configuring onboard SATA RAID	58
Installation Tips	58

Gigabit Ethernet Driver Installation	59	
VGA Driver Installation (onboard XGI Z9s)	59	
RAID Utility Installation	60	
Red Hat Enterprise Linux 5.0 EM64T Installation (with LSI MegaRAID SAS 8204ELP)	60	
Drivers Required	60	
Software Required	61	
Configuring LSI MegaRAID SAS 8204ELP	61	
Installation Tips	61	
Gigabit Ethernet Driver Installation	61	
VGA Driver Installation (onboard XGI Z9s)	61	
RAID Utility Installation	61	
Red Hat Enterprise Linux 5.0 EM64T Installation (with LSI MegaRAID SAS 8708ELP)	62	
Drivers Required	62	
Software Required	62	
Configuring LSI MegaRAID SAS 8708ELP	62	
Installation Tips	62	
Gigabit Ethernet Driver Installation	63	
VGA Driver Installation (onboard XGI Z9s)	63	
RAID Utility Installation	63	
Red Hat Enterprise Linux 5.0 Installation (with onboard SATA RAID)	63	
Drivers Required	63	
Software Required	64	
Configuring onboard SATA RAID	64	
Installation Tips	64	
Gigabit Ethernet Driver Installation	64	
VGA Driver Installation (onboard XGI Z9s)	65	
RAID Utility Installation	66	
Red Hat Enterprise Linux 5.0 Installation (with LSI MegaRAID SAS 8204ELP)	66	
Drivers Required	66	
Software Required	66	
Configuring LSI MegaRAID SAS 8204ELP	67	
Installation Tips	67	
Gigabit Ethernet Driver Installation	67	
VGA Driver Installation (onboard XGI Z9s)	67	
RAID Utility Installation	67	
Red Hat Enterprise Linux 5.0 Installation (with LSI MegaRAID SAS 8708ELP)	67	
Drivers Required	68	
Software Required	68	
Configuring LSI MegaRAID SAS 8708ELP	68	
Installation Tips	68	
Gigabit Ethernet Driver Installation	69	
VGA Driver Installation (onboard XGI Z9s)	69	
RAID Utility Installation	69	

SUSE Linux Enterprise Server 10 EM64T SP1 Installation (with onboard SATA RAID)	69
Drivers Required	69
Software Required	69
Configuring onboard SATA RAID	69
Installation Tips	70
Gigabit Ethernet Driver Installation	70
VGA Driver Installation (onboard XGI Z9s)	70
RAID Utility Installation	71
SUSE Linux Enterprise Server 10 EM64T SP1 Installation (with LSI MegaRAID SAS 8204ELP)	71
Drivers Required	71
Software Required	72
Configuring LSI MegaRAID SAS 8204ELP	72
Installation Tips	72
Gigabit Ethernet Driver Installation	72
VGA Driver Installation (onboard XGI Z9s)	72
RAID Utility Installation	73
SUSE Linux Enterprise Server 10 EM64T SP1 Installation (with LSI MegaRAID SAS 8708ELP)	73
Drivers Required	73
Software Required	73
Configuring LSI MegaRAID SAS 8708ELP	73
Installation Tips	73
Gigabit Ethernet Driver Installation	74
VGA Driver Installation (onboard XGI Z9s)	74
RAID Utility Installation	74
SUSE Linux Enterprise Server 10 SP1 Installation (with onboard SATA RAID)	74
Drivers Required	74
Software Required	75
Configuring onboard SATA RAID	75
Installation Tips	75
Gigabit Ethernet Driver Installation	75
VGA Driver Installation (onboard XGI Z9s)	76
RAID Utility Installation	76
SUSE Linux Enterprise Server 10SP 1 Installation (with LSI MegaRAID SAS 8204ELP)	77
Drivers Required	77
Software Required	77
Configuring LSI MegaRAID SAS 8204ELP	77
Installation Tips	77
Gigabit Ethernet Driver Installation	78
VGA Driver Installation (onboard XGI Z9s)	78
MeagRAID Storage Manager Installation	78
SUSE Linux Enterprise Server 10 SP1 Installation (with LSI MegaRAID SAS 8708ELP)	78

Drivers Required	78
Software Required	78
Configuring LSI MegaRAID SAS 8708ELP	79
Installation Tips	79
Gigabit Ethernet Driver Installation	79
VGA Driver Installation (onboard XGI Z9s)	79
MeagRAID Storage Manager Installation	79
NetWare 6.5 Support Pack 7 Installation (with LSI MegaRAID SAS8708ELP)	79
Drivers Required	80
Configuring LSI MegaRAID SAS 8708ELP	80
Installation Tips	80
APPENDIX A: ONBOARD SATA RAID CREATION	83
Configuring the onboard SATA RAID	83
Enable onboard SATA RAID function	83
Enter the onboard SATA RAID Configuration Utility	83
Loading onboard SATA RAID default setting	83
Create RAID 1 volume	83
Initial RAID Volume	84
Assigning a Hot Spare Disk	84
Save and Exit Embedded RAID Configuration Utility	84
APPENDIX B: LSI MEGARAID SAS 8708ELP RAID CREATION.....	85
Configuring LSI MegaRAID SAS 8708ELP	85
Starting LSI MegaRAID SAS RAID Configuration Utility	85
Loading Factory Default Setting	85
Creating and Initialing a RAID Volume	85
Assigning a Hot Spare Disk	85
APPENDIX C: LSI MEGARAID SAS 8204ELP RAID CREATION.....	87
Configuring LSI MegaRAID SAS 8204ELP	87
Starting LSI MegaRAID SAS RAID Configuration Utility	87
Loading Factory default setting	87
Creating a RAID volume	87
Initial RAID Volume	87
Assigning a Hot Spare Disk	88
Save and Exit LSI RAID Configuration Utility	88

INTRODUCTION

This article describes the Altos G330 Mk2 Installation Configuration guide:

- Hardware parts give you a briefly and quick hardware information about Altos G330 Mk2
- The operating system installation tips.

Where Can I Download the Latest Altos G330 Mk2 Installation Configuration Guide

The Altos G330 Mk2 Installation Configuration Guide would be updated on a monthly basis. Please download the latest release from Acer Support Website :-

<http://support.acer-euro.com/>

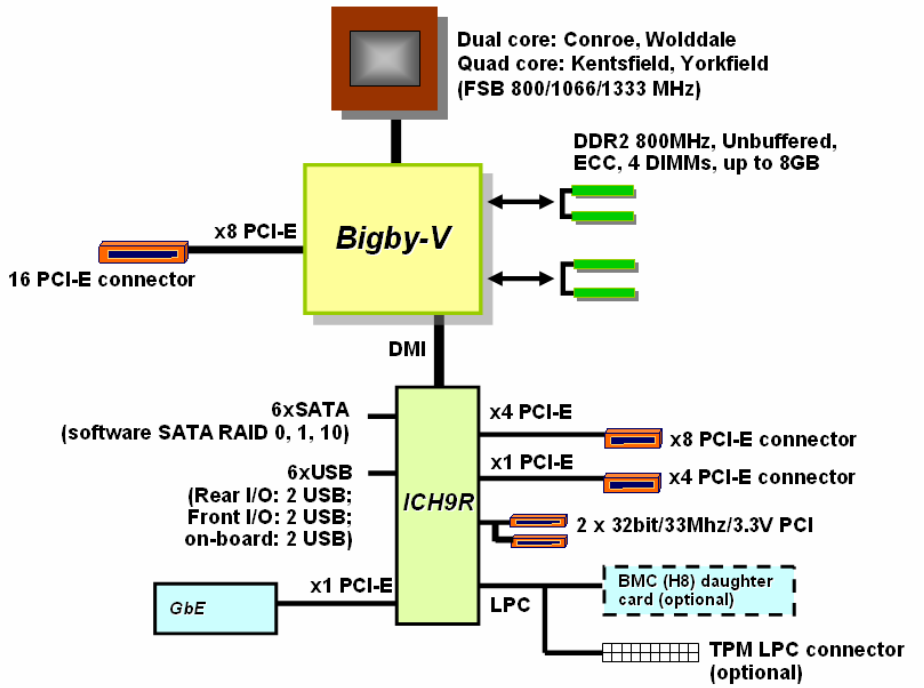
HARDWARE SPECIFICATION

Model	Altos G330 Mk2
Processor	<ul style="list-style-type: none"> • Xeon 3000 Series (Conroe) • Xeon 3200 Series (Kentsfield) • Xeon 3100 Series (Wolfdale) • Xeon 3300 Series (Yorkfield) • Core 2 Duo E6000 and E4000 Series (Conroe) • Core 2 Quad Q6000 Series (Kentsfield) • Pentium Dual Core E2000 Series (Conroe 1M) • Celeron 400 Sequence (Conroe L)
Front Side Bus	1333/1066/800 MHz
Cache	512KB, 1MB, 2 MB, 4 MB, 6 MB, 2 x 3 MB, 2 x 4 MB, 2 x 6 MB L2 cache
Chipset	Intel chipset <ul style="list-style-type: none"> • North Bridge: Intel 3200 MCH (Bigby-V) • South Bridge: Intel ICH9R I/O Controller
Memory	<ul style="list-style-type: none"> • Four DIMM sockets support 512MB/1GB/2GB DDR2-800 unbuffered with ECC • Maximum memory of 8GB • Dual channel memory bus • Up to 12.8 GB/s maximum b/w for DDR2-800
Storage Interface	<ul style="list-style-type: none"> • Six SATA2-300 ports • Option LSI SAS RAID (MegaRAID 8204ELP and 8708ELP)
Expansion Slots	Total 5 slots <ul style="list-style-type: none"> • One x16 PCI-Express slot (w/ x8 throughput) • One x8 PCI-Express slot (w/ x4 throughput) • One x4 PCI-Express slot (w/ x1 throughput) • Two 32-bits 33MHz 3.3v PCI slots
VGA	<ul style="list-style-type: none"> • Onboard XGI Z9s video controller w/ 16MB SDRAM
SATA Controller	<ul style="list-style-type: none"> • Six SATA ports with Software RAID 0, 1, 10 support
LAN Controller	<ul style="list-style-type: none"> • One onboard Broadcom BCM 5721 Gigabit Ethernet Controller
BMC	Optional BMC module <ul style="list-style-type: none"> • Hitachi H8 BMC controller • IPMI 2.0 compliant
TPM	Optional TPM module <ul style="list-style-type: none"> • TPM 1.2 compliant • Infineon SLB 9635 TT 1.2
ARMC/3	N/A
Availability sub-system	

System Power Supply	<ul style="list-style-type: none">• Single 350W power supply
Storage Subsystem	
Drive Bays	<ul style="list-style-type: none">• Three 5.25" front accessible drive bays for optical device and TBU
Hard Disks	<ul style="list-style-type: none">• Up to 4 HDDs by one 4 HDD hot-plug/easy-swap cage

BOARD LAYOUT

System Block Diagram



**DIMM POPULATION
GUIDELINE**

Memory population

Channel A		Channel B		Memory Interleave
DIMM A1	DIMM A2	DIMM B1	DIMM B2	
512 MB				1-way
1GB				1-way
2GB				1-way
512 MB		512 MB		2-way
1 GB		1 GB		2-way
2 GB		2 GB		2-way
512 MB	512 MB	512 MB	512 MB	2-way
1 GB	1 GB	1 GB	1 GB	2-way
2 GB	2 GB	2 GB	2 GB	2-way

OS INSTALLATION TIPS

Below is Altos G330 Mk2 OS certification matrix:

Operating System	Service Pack	Status	Note
Windows Server 2008 Enterprise x64 Edition	N/A	Certified	1, 2, 3
Windows Server 2008 Enterprise Edition	N/A	Certified	1, 2, 3
Windows Server 2003 R2 Enterprise x64 Edition	SP2	Certified	
Windows Server 2003 R2 Enterprise Edition	SP2	Certified	
Windows 2000 Advanced Server	SP4	Tested	
Windows Vista Enterprise x64 Edition	N/A	Tested	
Windows Vista Enterprise Edition	N/A	Tested	
Windows XP Professional x64	SP2	Tested	
Windows XP Professional	SP2	Tested	
Red Hat Enterprise Linux 5.0 EM64T	N/A	Certified	
Red Hat Enterprise Linux 5.0	N/A	Certified	
SUSE Linux Enterprise Server 10 EM64T	SP1	Certified	
SUSE Linux Enterprise Server 10	SP1	Certified	
NetWare 6.5	SP7	Certified	

NOTE1. Altos G330 Mk2 BIOS P04 (or later) is required to support Windows Server 2008.

NOTE2. This Windows Server 2008 certification also applies to Standard Edition and Web Server 2008.

NOTE3. EasyBUILD 8.0 build 200 (or later) can support Windows Server 2008.

The drivers required for the OS installation can be found on the EasyBUILD 8.0 build 100 (or later). We suggest that you use the drivers contained in the EasyBUILD 8.0 build 100 (or later), as these drivers are tested and qualified by Acer.

There are two ways you can get the drivers. You can either make diskettes from EasyBUILD 8.0 build 100 (or later), or put it in the optical drive and search the driver directly.

NOTE. In this section, we assume the OS is installed on the HDD connected to the onboard SATA RAID, LSI MegaRAID SAS 8708ELP or LSI MegaRAID SAS 8204ELP.

Windows Server 2008 Enterprise x64 Edition Installation (with onboard SATA RAID)

Below information describes how to manually install Windows Server 2008 Enterprise x64 Edition on Altos G330 Mk2 with onboard SATA RAID.

BIOS Required

Altos G330 Mk2 BIOS P04 (or later) is required to support Windows Server 2008.

Drivers Required

For Windows Server 2008 x64 Installation, the following device drivers are required.

Device	Version	EasyBUILD Version
Onboard SATA RAID	9.32.0207.2008	EasyBUILD 8.0 build 200 (or later)
Chipset	8.6.1.1001	EasyBUILD 8.0 build 200 (or later)
Onboard Gigabit Ethernet	10.82.0.0	EasyBUILD 8.0 build 200 (or later)
Onboard VGA	6.14.10.1090	EasyBUILD 8.0 build 200 (or later)
TPM	Built-in	N/A

Software Required

For Windows Server 2008 x64 Installation, the following manage utilities are required.

Software	Version	EasyBUILD Version
MegaRAID Storage Manager	2.63-00	EasyBUILD 8.0 build 200 (or later)
Broadcom Advanced Control Suite	11.2.4.0	EasyBUILD 8.0 build 200 (or later)

Configuring onboard SATA RAID

Please refer to the Appendix A. for the onboard SATA RAID configuration.

Installation Tips

- As Windows Server 2008 x64 can't recognize the G330 Mk2 onboard SATA RAID, please copy onboard SATA SATA RAID driver from the EasyBUILD 8.0 build 200 to a floppy diskette or USB flash first before the installation
- Because Windows Server 2008 x64 can't recognize the G330 Mk2 onboard SATA RAID, it cannot find the SATA ODD. Please insert the driver floppy diskette or USB flash and click on **Browse** to load the onboard SATA RAID driver when you see the message "A required DVD/CD drive device driver is missing. If you have a driver floppy disk, CD, DVD or USB flash drive, please insert it now."

3. Select directory of the floppy or USB flash that contains the driver.
4. Click on **OK**. You will see the supported devices listed.
5. Select "**LSI Embedded MegaRAID(A:\MegaSR.INF)**" and click on **Next**.
6. After the driver is loaded and returned to "**Where do you want to install Windows?**" page, click on **Drive options (advanced)** to create a partition for installation.
7. After the partition created, click on **Next** to continue the installation and follow the instructions to finish the installation.

Chipset Driver Package Installation

1. Please insert the EasyBUILD 8.0 build 200 into the optical drive
2. Expand **Drivers -> Altos G330 Mk2 -> Chipset -> Intel 3200 Chipset**, select **Windows Server 2008 x64** and click on **Setup**.
3. Follow the instruction to install the chipset driver and reboot the server after the driver is installed.

Gigabit Ethernet Driver Installation

1. Though Windows Server 2008 x64 can recognize the onboard Gigabit Ethernet, we still replace the driver with the one in EasyBUILD.
2. Please insert the EasyBUILD 8.0 build 200 (or later) into the optical drive
3. Expand **Drivers -> Altos G330 Mk2 -> Network Adapter -> Broadcom BCM5721 Gigabit Ethernet Controller**, select **Windows Server 2008 x64** and click on **Setup**.
4. Select **DRIVER INSTALLER** and follow the instruction and accept the license agreement to complete the driver installation.

VGA Driver Installation

1. Windows Server 2008 x64 will treat onboard XGI Z9s as Standard VGA device. You can find the XGI Z9s driver in EasyBUILD 8.0 build 200. Please insert the EasyBUILD 8.0 build 200 into the optical drive.
2. Expand **Drivers -> Altos G330 Mk2 -> Graphics adapters -> XGI Z9s**, select **Windows Server 2008 x64** and click on **Setup**.
3. Select **Device Driver** and follow the instruction to install the VGA driver.
4. Please reboot the server after the driver is installed.

TPM Driver Installation (optional)

Windows Server 2008 x64 has built-in driver for TPM. You don't need to install additional TPM driver manually.

RAID Utility Installation

1. For installing MegaRAID Storage Manager for onboard SATA RAID, please insert the EasyBUILD 8.0 build 200 into the optical drive.
2. Expand Utilities -> Altos G330 Mk2 -> Onboard SATA RAID, select MegaRAID Storage Manager (Windows Server 2008 x64) and click on Setup.
3. Follow the instruction, accept the license agreement and use the default setting to the Setup Type.
4. At the Setup Type, please select Custom Installation and StandAlone.
5. Follow the instruction again to complete the installation.

Network Utility Installation

1. Please insert the EasyBUILD 8.0 build 200 into the optical drive.
2. Expand Utilities -> Altos G330 Mk2 -> Broadcom Gigabit Ethernet Controller, select BACS Utility (Windows Server 2008 x64) and click on Setup.
3. Select MANAGEMENT APPLICATIONS and follow the instruction, accept the license agreement and use the default setting to complete the Broadcom Advanced Control Suite 3 installation.

Windows Server 2008 Enterprise x64 Edition Installation (with LSI MegaRAID SAS 8204ELP)

Below information describes how to manually install Windows Server 2008 Enterprise x64 Edition on Altos G330 Mk2 with LSI MegaRAID SAS 8204ELP.

BIOS Required

Altos G330 Mk2 BIOS P04 (or later) is required to support Windows Server 2008.

Drivers Required

For Windows Server 2008 x64 Installation, the following device drivers are required.

Device	Version	EasyBUILD Version
MegaRAID SAS 8204ELP	9.32.0207.2008	EasyBUILD 8.0 build 200 (or later)
Chipset	8.6.1.1001	EasyBUILD 8.0 build 200 (or later)
Onboard Gigabit Ethernet	10.82.0.0	EasyBUILD 8.0 build 200 (or later)
Onboard VGA	6.14.10.1090	EasyBUILD 8.0 build 200 (or later)
TPM	Built-in	N/A

Software Required

For Windows Server 2008 x64 Installation, the following manage utilities are required.

Software	Version	EasyBUILD Version
MegaRAID Storage Manager	2.63-00	EasyBUILD 8.0 build 200 (or later)
Broadcom Advanced Control Suite 3	11.2.4.0	EasyBUILD 8.0 build 200 (or later)

Configuring LSI MegaRAID SAS 8204ELP

Please refer to the Appendix C. for the LSI MegaRAID SAS 8204ELP configuration.

Installation Tips

1. Though Windows Server 2008 x64 can recognize the LSI MegaRAID SAS 8204ELP, we still replace the driver with the one in EasyBUILD. Please copy MegaRAID SAS 8204ELP driver from the EasyBUILD 8.0 build 200 to a floppy or USB flash first before the installation.
2. Please boot the system form the Windows Server 2008 x64 DVD. Follow the instructions to do the installation.
3. When you see the “Where do you want to install Windows?” on the screen, please insert the floppy diskette or USB flash with MegaRAID SAS 8204ELP driver and click on **Load Driver**.
4. Click on **Browser** and select directory of the floppy or USB flash that contains the driver.
5. Click on **OK**. You will see the supported devices listed.
6. Select “**LSI MegaRAID SAS 8208ELP and 8204ELP (A:\MegaSR.INF)**” and click on **Next**.
7. After the driver is loaded and returned to “Where do you want to install Windows?” page, click on **Drive options (advanced)** to create a partition for installation.
8. After the partition created, click on **Next** to continue the installation and follow the instructions to finish the installation.

Chipset Driver Package Installation

Please refer to the Windows Server 2008 Enterprise x64 Edition (with Onboard SATA RAID) Chipset Driver Installation section.

Gigabit Ethernet Driver Installation

Please refer to the Windows Server 2008 Enterprise x64 Edition (with Onboard SATA RAID) Gigabit Ethernet Driver Installation section.

VGA Driver Installation

Please refer to the Windows Server 2008 Enterprise x64 Edition (with Onboard SATA RAID) VGA Driver Installation (onboard VGA) section.

TPM Driver Installation (optional)

Windows Server 2008 x64 has built-in driver for TPM. You don't need to install additional TPM driver manually.

RAID Utility Installation

1. For installing MegaRAID Storage Manager for MegaRAID SAS 8204ELP, please insert the EasyBUILD 8.0 build 200 into the optical drive.
2. Expand **Utilities** -> **Altos G330 Mk2** -> **LSI Logic MegaRAID SAS 8204ELP**, select **MegaRAID Storage Manager (Windows Server 2008 x64)** and click on **Setup**.
3. Follow the instruction, accept the license agreement and use the default setting to the **Setup Type**.
4. At the **Setup Type**, please select **Custom Installation** and **StandAlone**.
5. Follow the instruction again to complete the installation.

Network Utility Installation

Please refer to the Windows Server 2008 Enterprise x64 Edition (with Onboard SATA RAID) Network Utility Installation section.

Windows Server 2008 Enterprise x64 Edition Installation (with LSI MegaRAID SAS 8708ELP)

Below information describes how to manually install Windows Server 2008 Enterprise x64 Edition on Altos G330 Mk2 with LSI MegaRAID SAS 8708ELP.

BIOS Required

Altos G330 Mk2 BIOS P04 (or later) is required to support Windows Server 2008.

Drivers Required

For Windows Server 2008 x64 Installation, the following device drivers are required.

Device	Version	EasyBUILD Version
MegaRAID SAS 8708ELP	2.20.0.64	EasyBUILD 8.0 build 200 (or later)
Chipset	8.6.1.1001	EasyBUILD 8.0 build 200 (or later)
Onboard Gigabit Ethernet	10.82.0.0	EasyBUILD 8.0 build 200 (or later)
Onboard VGA	6.14.10.1090	EasyBUILD 8.0 build 200 (or later)
TPM	Built-in	N/A

Software Required

For Windows Server 2008 x64 Installation, the following manage utilities are required.

Software	Version	EasyBUILD Version
MegaRAID Storage Manager	2.63-00	EasyBUILD 8.0 build 200 (or later)
Broadcom Advanced Control Suite 3	11.2.4.0	EasyBUILD 8.0 build 200 (or later)

Configuring LSI MegaRAID SAS 8708ELP

Please refer to the Appendix B. for the LSI MegaRAID SAS 8708ELP configuration.

Installation Tips

1. Though Windows Server 2008 x64 can recognize the LSI MegaRAID SAS 8708ELP, we still replace the driver with the one in EasyBUILD. Please copy MegaRAID SAS 8708ELP driver from the EasyBUILD 8.0 build 200 to a floppy diskette or USB flash first before the installation.
2. Please boot the system form the Windows Server 2008 x64 DVD. Follow the instructions to do the installation.
3. When you see the “Where do you want to install Windows?” on the screen, please insert the floppy diskette or USB flash with MegaRAID SAS 8708ELP driver and click on **Load Driver**.
4. Click on **Browser** and select directory of the floppy or USB flash that contains the driver.
5. Click on **OK**. You will see the supported devices listed.
6. Select “**LSI MegaRAID SAS 8708ELP RAID Controller (A:\loemsetup.inf)**” and click on **Next**.
7. After the driver is loaded and returned to “Where do you want to install Windows?” page, click on **Drive options (advanced)** to create a partition for installation.
8. After the partition created, click on **Next** to continue the installation and follow the instructions to finish the installation.

Chipset Driver Package Installation

Please refer to the Windows Server 2008 Enterprise x64 Edition (with Onboard SATA RAID) Chipset Driver Installation section.

Gigabit Ethernet Driver Installation

Please refer to the Windows Server 2008 Enterprise x64 Edition (with Onboard SATA RAID) Gigabit Ethernet Driver Installation section.

VGA Driver Installation

Please refer to the Windows Server 2008 Enterprise x64 Edition (with Onboard SATA RAID) VGA Driver Installation (onboard VGA) section.

TPM Driver Installation (optional)

Windows Server 2008 x64 has built-in driver for TPM. You don't need to install additional TPM driver manually.

RAID Utility Installation

1. For installing MegaRAID Storage Manager for MegaRAID SAS 8708ELP, please insert the EasyBUILD 8.0 build 200 into the optical drive.
2. Expand Utilities -> Altos G330 Mk2 -> LSI Logic MegaRAID SAS 8708ELP, select MegaRAID Storage Manager (Windows Server 2008 x64) and click on Setup.
3. Follow the instruction, accept the license agreement and use the default setting to the Setup Type.
4. At the Setup Type, please select Custom Installation and StandAlone.
5. Follow the instruction again to complete the installation.

Network Utility Installation

Please refer to the Windows Server 2008 Enterprise x64 Edition (with Onboard SATA RAID) Network Utility Installation section.

Windows Server 2008 Enterprise Edition Installation (with onboard SATA RAID)

Below information describes how to manually install Windows Server 2008 Enterprise Edition on Altos G330 Mk2 with onboard SATA RAID.

BIOS Required

Altos G330 Mk2 BIOS P04 (or later) is required to support Windows Server 2008.

Drivers Required

For Windows Server 2008 Installation, the following device drivers are required.

Device	Version	EasyBUILD Version
Onboard SATA RAID	9.32.0207.2008	EasyBUILD 8.0 build 200 (or later)
Chipset	8.6.1.1001	EasyBUILD 8.0 build 200 (or later)
Onboard Gigabit Ethernet	10.82.0.0	EasyBUILD 8.0 build 200 (or later)
Onboard VGA	6.14.10.1090	EasyBUILD 8.0 build 200 (or later)
TPM	Built-in	N/A

Software Required

For Windows Server 2008 Installation, the following manage utilities are required.

Software	Version	EasyBUILD Version
MegaRAID Storage Manager	2.63-00	EasyBUILD 8.0 build 200 (or later)
Broadcom Advanced Control Suite 3	11.2.4.0	EasyBUILD 8.0 build 200 (or later)

Configuring onboard SATA RAID

Please refer to the Appendix A. for the onboard SATA RAID configuration.

Installation Tips

1. As Windows Server 2008 can't recognize the G330 Mk2 onboard SATA RAID, please copy onboard SATA SATA RAID driver from the EasyBUILD 8.0 build 200 to a floppy diskette or USB flash first before the installation
2. Because Windows Server 2008 can't recognize the G330 Mk2 onboard SATA RAID, it cannot find the SATA ODD. Please insert the driver floppy diskette or USB flash and click on **Browse** to load the onboard SATA RAID driver when you see the message "**A required DVD/CD drive device driver is missing. If you have a driver floppy disk, CD, DVD or USB flash drive, please insert it now.**"
3. Select directory of the floppy or USB flash that contains the driver.
4. Click on **OK**. You will see the supported devices listed.
5. Select "**LSI Embedded MegaRAID(A:\MegaSR.INF)**" and click on **Next**.
6. After the driver is loaded and returned to "**Where do you want to install Windows?**" page, click on **Drive options (advanced)** to create a partition for installation.
7. After the partition created, click on **Next** to continue the installation and follow the instructions to finish the installation.

Chipset Driver Package Installation

1. Please insert the EasyBUILD 8.0 build 200 into the optical drive
2. Expand **Drivers -> Altos G330 Mk2 -> Chipset -> Intel 3200 Chipset**, select **Windows Server 2008** and click on **Setup**.
3. Follow the instruction to install the chipset driver and reboot the server after the driver is installed.

Gigabit Ethernet Driver Installation

1. Though Windows Server 2008 can recognize the onboard Gigabit

Ethernet, we still replace the driver with the one in EasyBUILD.

2. Please insert the EasyBUILD 8.0 build 200 (or later) into the optical drive
3. Expand **Drivers** -> **Altos G330 Mk2** -> **Network Adapter** -> **Broadcom BCM5721 Gigabit Ethernet Controller**, select **Windows Server 2008** and click on **Setup**.
4. Select **DRIVER INSTALLER** and follow the instruction and accept the license agreement to complete the driver installation.

VGA Driver Installation

1. Windows Server 2008 will treat onboard XGI Z9s as Standard VGA device. You can find the XGI Z9s driver in EasyBUILD 8.0 build 200. Please insert the EasyBUILD 8.0 build 200 into the optical drive.
2. Expand **Drivers** -> **Altos G330 Mk2** -> **Graphics adapters** -> **XGI Z9s**, select **Windows Server 2008** and click on **Setup**.
3. Select **Device Driver** and follow the instruction to install the VGA driver.
4. Please reboot the server after the driver is installed.

TPM Driver Installation (optional)

Windows Server 2008 has built-in driver for TPM. You don't need to install additional TPM driver manually.

RAID Utility Installation

1. For installing MegaRAID Storage Manager for onboard SATA RAID, please insert the EasyBUILD 8.0 build 200 into the optical drive.
2. Expand **Utilities** -> **Altos G330 Mk2** -> **Onboard SATA RAID**, select **MegaRAID Storage Manager (Windows Server 2008)** and click on **Setup**.
3. Follow the instruction, accept the license agreement and use the default setting to the **Setup Type**.
4. At the **Setup Type**, please select **Custom Installation** and **StandAlone**.
5. Follow the instruction again to complete the installation.

Network Utility Installation

1. Please insert the EasyBUILD 8.0 build 200 into the optical drive.
2. Expand **Utilities** -> **Altos G330 Mk2** -> **Broadcom Gigabit Ethernet Controller**, select **BACS Utility (Windows Server 2008)** and click on **Setup**.
3. Select **MANAGEMENT APPLICATIONS** and follow the instruction, accept the license agreement and use the default setting to complete the Broadcom Advanced Control Suite 3 installation.

Windows Server 2008 Enterprise Edition Installation (with LSI MegaRAID SAS 8204ELP)

Below information describes how to manually install Windows Server 2008 Enterprise Edition on Altos G330 Mk2 with LSI MegaRAID SAS 8204ELP.

BIOS Required

Altos G330 Mk2 BIOS P04 (or later) is required to support Windows Server 2008.

Drivers Required

For Windows Server 2008 Installation, the following device drivers are required.

Device	Version	EasyBUILD Version
MegaRAID SAS 8204ELP	9.32.0207.2008	EasyBUILD 8.0 build 200 (or later)
Chipset	8.6.1.1001	EasyBUILD 8.0 build 200 (or later)
Onboard Gigabit Ethernet	10.82.0.0	EasyBUILD 8.0 build 200 (or later)
Onboard VGA	6.14.10.1090	EasyBUILD 8.0 build 200 (or later)
TPM	Built-in	N/A

Software Required

For Windows Server 2008 Installation, the following manage utilities are required.

Software	Version	EasyBUILD Version
MegaRAID Storage Manager	2.63-00	EasyBUILD 8.0 build 200 (or later)
Broadcom Advanced Control Suite 3	11.2.4.0	EasyBUILD 8.0 build 200 (or later)

Configuring LSI MegaRAID SAS 8204ELP

Please refer to the Appendix C. for the LSI MegaRAID SAS 8204ELP configuration.

Installation Tips

1. Though Windows Server 2008 can recognize the LSI MegaRAID SAS 8204ELP, we still replace the driver with the one in EasyBUILD. Please copy MegaRAID SAS 8204ELP driver from the EasyBUILD 8.0 build 200 to a floppy or USB flash first before the installation.
2. Please boot the system form the Windows Server 2008 DVD. Follow the instructions to do the installation.
3. When you see the "Where do you want to install Windows?" on the screen, please insert the floppy diskette or USB flash with MegaRAID SAS 8204ELP driver and click on **Load Driver**.

-
4. Click on **Browser** and select directory of the floppy or USB flash that contains the driver.
 5. Click on **OK**. You will see the supported devices listed.
 6. Select "**LSI MegaRAID SAS 8208ELP and 8204ELP (A:\MegaSR.INF)**" and click on **Next**.
 7. After the driver is loaded and returned to "**Where do you want to install Windows?**" page, click on **Drive options (advanced)** to create a partition for installation.
 8. After the partition created, click on **Next** to continue the installation and follow the instructions to finish the installation.

Chipset Driver Package Installation

Please refer to the Windows Server 2008 Enterprise Edition (with Onboard SATA RAID) Chipset Driver Installation section.

Gigabit Ethernet Driver Installation

Please refer to the Windows Server 2008 Enterprise Edition (with Onboard SATA RAID) Gigabit Ethernet Driver Installation section.

VGA Driver Installation

Please refer to the Windows Server 2008 Enterprise Edition (with Onboard SATA RAID) VGA Driver Installation (onboard VGA) section.

TPM Driver Installation (optional)

Windows Server 2008 has built-in driver for TPM. You don't need to install additional TPM driver manually.

RAID Utility Installation

1. For installing MegaRAID Storage Manager for MegaRAID SAS 8204ELP, please insert the EasyBUILD 8.0 build 200 into the optical drive.
2. Expand **Utilities** -> **Altos G330 Mk2** -> **LSI Logic MegaRAID SAS 8204ELP**, select **MegaRAID Storage Manager (Windows Server 2008)** and click on **Setup**.
3. Follow the instruction, accept the license agreement and use the default setting to the **Setup Type**.
4. At the **Setup Type**, please select **Custom Installation** and **StandAlone**.
5. Follow the instruction again to complete the installation.

Network Utility Installation

Please refer to the Windows Server 2008 Enterprise Edition (with Onboard SATA RAID) Network Utility Installation section.

Windows Server 2008 Enterprise Edition Installation (with LSI MegaRAID SAS 8708ELP)

Below information describes how to manually install Windows Server 2008 Enterprise Edition on Altos G330 Mk2 with LSI MegaRAID SAS 8708ELP.

BIOS Required

Altos G330 Mk2 BIOS P04 is (or later) required to support Windows Server 2008.

Drivers Required

For Windows Server 2008 Installation, the following device drivers are required.

Device	Version	EasyBUILD Version
MegaRAID SAS 8708ELP	2.20.0.32	EasyBUILD 8.0 build 200 (or later)
Chipset	8.6.1.1001	EasyBUILD 8.0 build 200 (or later)
Onboard Gigabit Ethernet	10.82.0.0	EasyBUILD 8.0 build 200 (or later)
Onboard VGA	6.14.10.1090	EasyBUILD 8.0 build 200 (or later)
TPM	Built-in	N/A

Software Required

For Windows Server 2008 Installation, the following manage utilities are required.

Software	Version	EasyBUILD Version
MegaRAID Storage Manager	2.63-00	EasyBUILD 8.0 build 200 (or later)
Broadcom Advanced Control Suite 3	11.2.4.0	EasyBUILD 8.0 build 200 (or later)

Configuring LSI MegaRAID SAS 8708ELP

Please refer to the Appendix B. for the LSI MegaRAID SAS 8708ELP configuration.

Installation Tips

1. Though Windows Server 2008 can recognize the LSI MegaRAID SAS 8708ELP, we still replace the driver with the one in EasyBUILD. Please copy MegaRAID SAS 8708ELP driver from the EasyBUILD 8.0 build 200 to a floppy diskette or USB flash first before the installation.
2. Please boot the system form the Windows Server 2008 DVD. Follow the instructions to do the installation.
3. When you see the "Where do you want to install Windows?" on the screen, please insert the floppy diskette or USB flash with MegaRAID SAS 8708ELP driver and click on **Load Driver**.

-
4. Click on **Browser** and select directory of the floppy or USB flash that contains the driver.
 5. Click on **OK**. You will see the supported devices listed.
 6. Select **"LSI MegaRAID SAS 8708ELP RAID Controller (A:\loemsetup.inf)"** and click on **Next**.
 7. After the driver is loaded and returned to **"Where do you want to install Windows?"** page, click on **Drive options (advanced)** to create a partition for installation.
 8. After the partition created, click on **Next** to continue the installation and follow the instructions to finish the installation.

Chipset Driver Package Installation

Please refer to the Windows Server 2008 Enterprise Edition (with Onboard SATA RAID) Chipset Driver Installation section.

Gigabit Ethernet Driver Installation

Please refer to the Windows Server 2008 Enterprise Edition (with Onboard SATA RAID) Gigabit Ethernet Driver Installation section.

VGA Driver Installation

Please refer to the Windows Server 2008 Enterprise Edition (with Onboard SATA RAID) VGA Driver Installation (onboard VGA) section.

TPM Driver Installation (optional)

Windows Server 2008 has built-in driver for TPM. You don't need to install additional TPM driver manually.

RAID Utility Installation

1. For installing MegaRAID Storage Manager for MegaRAID SAS 8708ELP, please insert the EasyBUILD 8.0 build 200 into the optical drive.
2. Expand **Utilities -> Altos G330 Mk2 -> LSI Logic MegaRAID SAS 8708ELP**, select **MegaRAID Storage Manager (Windows Server 2008)** and click on **Setup**.
3. Follow the instruction, accept the license agreement and use the default setting to the **Setup Type**.
4. At the **Setup Type**, please select **Custom Installation and StandAlone**.
5. Follow the instruction again to complete the installation.

Network Utility Installation

Please refer to the Windows Server 2008 Enterprise Edition (with Onboard SATA RAID) Network Utility Installation section.

Windows Server 2003 R2 x64 Enterprise Edition SP2 Installation (with onboard SATA RAID)

Below information describes how to manually install Windows Server 2003 R2 x64 Enterprise Edition on Altos G330 Mk2 with onboard SATA RAID enabled.

Drivers Required

For Windows 2003 R2 x64 Installation, the following device drivers are required.

Device	Version	Directory on EasyBUILD
Onboard SATA RAID	9.25.1025.2007	\\Disk\g330Mk2\onboard\sataraid\x64\ws03
Onboard Intel 3200 Chipset	8.4.0.1017	\\Disk\g330Mk2\onboard\Chipset\
Onboard Broadcom BCM 5721 Gigabit Ethernet	10.39.0.0	\\Disk\g330Mk2\nic\BCM\windows\x64\ws03
Onboard XGI Z9s	6.14.10.900	\\Disk\G330Mk2\onboard\vga\xgiz9s\x64\ws03\

Software Required

The management utility for onboard and NIC can be found in the EasyBUILD 8.0 build 100 (or later).

Software	Version	Directory on EasyBUILD
MegaRAID Storage Manager	2.30-00	\\app\G330Mk2\sas\sataraid\Windows\
Broadcom Advanced Control Suite	10.5.3.0	\\app\g330Mk2\nic\bacs\x64\ws03\

Configuring onboard SATA RAID

Please refer to the Appendix A. for the onboard SATA RAID configuration.

Installation Tips

1. As Windows Server 2003 R2 x64 can't recognize the onboard SATA RAID, you need to make a driver diskette from the EasyBUILD 8.0 build 100 first before the installation.
2. Press F6 at the beginning of installation for providing the driver diskette for the onboard SATA RAID.
3. Select "LSI Embedded MegaRAID (Windows XP/2003 64-bit)" as target driver
4. After loading the RAID driver from diskette, follow the normal procedure to finish the installation.

Chipset Driver Package Installation

1. Please insert the EasyBUILD 8.0 build 100 into the optical drive

-
2. Expand **Drivers** -> **Altos G330 Mk2** -> **Chipset** -> **Intel 3200 Chipset**, select **Windows Server 2003 x64** and click on **Setup**.
 3. Follow the instruction to install the chipset driver and reboot the server after the driver is installed.

Gigabit Ethernet Driver Installation

1. There is one **Ethernet Controller** listed under **Other device** in Windows Device Manager. It is the onboard Broadcom BCM5721 Gigabit Ethernet controller. You could find the driver in EasyBUILD 8.0 build 100.
2. Please insert the EasyBUILD 8.0 build 100 (or later) into the optical drive
3. Expand **Drivers** -> **Altos G330 Mk2** -> **Network Adapter** -> **Broadcom BCM5721 Gigabit Ethernet Controller**, select **Windows Server 2003 x64** and click on **Setup**.
4. Follow the instruction to complete the driver installation.
5. After installing the driver, you would see **Broadcom NetXtreme Gigabit Ethernet** listed in Network adapters.

VGA Driver Installation (onboard XGI Z9s)

1. Windows will treat onboard XGI Z9s as Standard VGA device. You can find the XGI Z9s driver in EasyBUILD 8.0 build 100. Please insert the EasyBUILD 8.0 build 100 into the optical drive.
2. Expand **Drivers** -> **Altos G330 Mk2** -> **Graphics adapters** -> **XGI Z9s**, select **Windows Server 2003 x64** and click on **Setup**.
3. Follow the instruction to install the VGA driver.
4. Please reboot the server after the driver is installed.
5. After the system rebooted, you would see **XGI Z7/Z9/Z9s/Z11 v1.09.03** listed in Display adapters in Device Manager.

RAID Utility Installation

1. For installing MegaRAID Storage Manager for onboard SATA RAID, please insert the EasyBUILD 8.0 build 100 into the optical drive.
2. Expand **Utilities** -> **Altos G330 Mk2** -> **Onboard SATA RAID**, select **MegaRAID Storage Manager (Windows Server 2003 x64)** and click on **Setup**.
3. Follow the instruction, accept the license agreement and use the default setting to the **Setup Type**.
4. At the **Setup Type**, please select **Custom Installation** and **StandAlone**.
5. Follow the instruction again to complete the installation.

Network Utility Installation

1. For installing Broadcom Advanced Control Suite for onboard Broadcom BMC5721 Gigabit Ethernet controller, Please insert the EasyBUILD 8.0 build 100 into the optical drive.
2. Expand **Utilities** -> **Altos G330 Mk2** -> **Broadcom Gigabit Ethernet Controller**, select **BACS Utility (Windows Server 2003 x64)** and click on **Setup**.
3. Follow the instruction, accept the license agreement and use the default setting to complete the Broadcom Advanced Control Suite installation.

Windows Server 2003 R2 x64 Enterprise Edition SP2 Installation (with LSI MegaRAID SAS 8204ELP)

Below information describes how to manually install Windows Server 2003 R2 x64 Enterprise Edition on Altos G330 Mk2 with LSI MegaRAID SAS 8204ELP.

Drivers Required

For Windows 2003 R2 x64 Installation, the following device drivers are required.

Device	Version	Directory on EasyBUILD
LSI MegaRAID SAS 8204ELP	9.21.0914.2007	\\Disk\\G330Mk2\\sas\\8204elp\\x64\\w2k3\\
Onboard Intel 3200 Chipset	8.3.0.1014	\\Disk\\g330Mk2\\onboard\\Chipset\\
Onboard Broadcom BCM 5721 Gigabit Ethernet	10.39.0.0	\\Disk\\g330Mk2\\nic\\BCM\\windows\\x64\\ws03
Onboard XGI Z9s	6.14.10.900	\\Disk\\G330Mk2\\onboard\\vga\\xgiz9s\\x64\\ws03\\

Software Required

The management utility for LSI MegaRAID SAS 8204ELP and NIC can be found in the EasyBUILD 8.0 build 100 (or later).

Software	Version	Directory on EasyBUILD
MegaRAID Storage Manager	2.30-00	\\app\\G330Mk2\\sas\\8204ELP\\Windows\\
Broadcom Advanced Control Suite	10.5.3.0	\\app\\g330Mk2\\nic\\bacs\\x64\\ws03\\

Configuring LSI MegaRAID SAS 8204ELP

Please refer to the Appendix C. for the LSI MegaRAID SAS 8204ELP configuration.

Installation Tips

1. As Windows Server 2003 R2 x64 can't recognize the LSI MegaRAID SAS 8204ELP, you need to make a driver diskette from the EasyBUILD 8.0 build 100 first before the installation.
2. Press F6 at the beginning of installation for providing the driver diskette for the LSI MegaRAID SAS 8204ELP.
3. Select "LSI Logic Embedded MegaRAID (Windows XP/2003 64-bit)" as target driver
4. After loading the RAID driver from diskette, follow the normal procedure to finish the installation.

Chipset Driver Installation

The chipset driver installation is the same as onboard SATA RAID enabled. Please refer to the Windows Server 2003 R2 x64 Enterprise Edition (with Onboard SATA RAID) Chipset Driver Installation section.

Gigabit Ethernet Driver Installation

The Broadcom BCM5721 driver installation is the same as onboard SATA RAID enabled. Please refer to the Windows Server 2003 R2 x64 Enterprise Edition (with onboard SATA RAID) Gigabit Ethernet Driver Installation section.

VGA Driver Installation (onboard XGI Z9s)

The XGI Z9s driver installation is the same as onboard SATA RAID enabled. Please refer to the Windows Server 2003 R2 x64 Enterprise Edition (with LSI onboard SATA RAID) XGI Z9x Driver Installation section.

RAID Utility Installation

The MegaRAID Storage Manager installation is the same as onboard SATA RAID enabled. Please refer to the Windows Server 2003 R2 x64 Enterprise Edition (with onboard SATA RAID) RAID Utility Installation section.

Network Utility Installation

The Broadcom Advanced Control Suite installation is the same as onboard SATA RAID enabled. Please refer to the Windows Server 2003 R2 x64 Enterprise Edition (with onboard SATA RAID) Network Utility Installation section.

Windows Server 2003 R2 x64 Enterprise Edition SP2 Installation (with LSI MegaRAID SAS 8708ELP)

Below information describes how to manually install Windows Server 2003 R2 x64 Enterprise Edition on Altos G330 Mk2 with LSI MegaRAID SAS 8708ELP installed.

Drivers Required

For Windows 2003 R2 x64 Installation, the following device drivers are required.

Device	Version	Directory on EasyBUILD
LSI MegaRAID SAS 8708ELP	2.17.0.64	\Disk\G330Mk2\sas\8708elp\x64\w2k3\
Onboard Intel 3200 Chipset	8.4.0.1017	\Disk\g330Mk2\onboard\Chipset\
Onboard Broadcom BCM 5721 Gigabit Ethernet	10.39.0.0	\Disk\g330Mk2\nic\BCM\windows\x64\ws03
Onboard XGI Z9s	6.14.10.900	\Disk\G330Mk2\onboard\vga\xgiz9s\x64\ws03\

Software Required

The management utility for LSI MegaRAID SAS 8708ELP and NIC can be found in the EasyBUILD 8.0 build 100 (or later).

Software	Version	Directory on EasyBUILD
MegaRAID Storage Manager	2.30-00	\app\G330Mk2\sas\8708ELP\Windows\
Broadcom Advanced Control Suite	10.5.3.0	\app\g330Mk2\nic\bacs\x64\ws03\

Configuring LSI MegaRAID SAS 8708ELP

Please refer to the Appendix B. for the LSI MegaRAID SAS 8708ELP configuration.

Installation Tips

1. As Windows Server 2003 R2 x64 can't recognize the LSI MegaRAID SAS 8708ELP, you need to make a driver diskette from the EasyBUILD 8.0 build 100 first before the installation.
2. Press F6 at the beginning of installation for providing the driver diskette for the LSI MegaRAID SAS 8708ELP.
3. Select "LSI Logic MegaRAID SAS RAID Controller Driver (Server 2003 for x64)" as target driver
4. After loading the RAID driver from diskette, follow the normal procedure to finish the installation.

Chipset Driver Installation

The chipset driver installation is the same as onboard SATA RAID enabled. Please refer to the Windows Server 2003 R2 x64 Enterprise Edition (with Onboard SATA RAID) Chipset Driver Installation section.

Gigabit Ethernet Driver Installation

The Broadcom BCM5721 driver installation is the same as onboard SATA RAID enabled. Please refer to the Windows Server 2003 R2 x64 Enterprise Edition

(with onboard SATA RAID) Gigabit Ethernet Driver Installation section.

VGA Driver Installation (onboard XGI Z9s)

The XGI Z9s driver installation is the same as onboard SATA RAID enabled. Please refer to the Windows Server 2003 R2 x64 Enterprise Edition (with LSI onboard SATA RAID) XGI Z9x Driver Installation section.

RAID Utility Installation

The MegaRAID Storage Manager installation is the same as onboard SATA RAID enabled. Please refer to the Windows Server 2003 R2 x64 Enterprise Edition (with onboard SATA RAID) RAID Utility Installation section.

Network Utility Installation

The Broadcom Advanced Control Suite installation is the same as onboard SATA RAID enabled. Please refer to the Windows Server 2003 R2 x64 Enterprise Edition (with onboard SATA RAID) Network Utility Installation section.

Windows Server 2003 R2 Enterprise Edition SP2 Installation (with onboard SATA RAID)

Below information describes how to manually install Windows Server 2003 R2 Enterprise Edition SP2 on Altos G330 Mk2 with onboard SATA RAID.

Drivers Required

For Windows 2003 R2 Installation, the following device drivers are required.

Device	Version	Directory on EasyBUILD
Onboard SATA RAID	9.25.1029.2007	\\Disk\g330Mk2\onboard\sataraid\ws03
Onboard Intel 3200 Chipset	8.4.0.1017	\\Disk\g330Mk2\onboard\Chipset\
Onboard Broadcom BCM 5721 Gigabit Ethernet	10.39.0.0	\\Disk\g330Mk2\nic\BCM\windows\ws03
Onboard XGI Z9s	6.14.10.900	\\Disk\G330Mk2\onboard\vga\xgiz9s\ws03\

Software Required

The management utility for onboard SATA RAID can be found in the EasyBUILD 8.0 build 100 (or later).

Software	Version	Directory on EasyBUILD
MegaRAID Storage Manager	2.30-00	\\app\G330Mk2\sas\sataraid\Windows\
Broadcom Advanced Control Suite	10.5.3.0	\\app\g330Mk2\nic\bacs\ws03\

Configuring onboard SATA RAID

Please refer to the Appendix A. for the onboard SATA RAID configuration.

Installation Tips

1. As Windows Server 2003 R2 can't recognize the onboard SATA RAID, you need to make a driver diskette from the EasyBUILD 8.0 build 100 first before the installation.
2. Press F6 at the start of installation to provide the driver disk for the onboard SATA RAID.
3. Select "**LSI Embedded MegaRAID (Windows XP/2003)**" as target driver
4. After loading the RAID driver from diskette, follow the normal procedure to finish the installation.

Chipset Driver Installation

1. Please insert the EasyBUILD 8.0 build 100 into the optical drive
2. Expand **Drivers** -> **Altos G330 Mk2** -> **Chipset** -> **Intel 3200 Chipset**, select **Windows Server 2003** and click on **Setup**.
4. Follow the instruction to install the chipset driver and reboot the server after the driver is installed.

Gigabit Ethernet Driver Installation

1. There is one **Ethernet Controller** listed under **Other device** in Windows Device Manager. It is the onboard Broadcom BCM5721 Gigabit Ethernet controller. You could find the driver in EasyBUILD 8.0 build 100.
2. Please insert the EasyBUILD 8.0 build 100 (or later) into the optical drive
3. Expand **Drivers** -> **Altos G330 Mk2** -> **Network Adapters** -> **Broadcom BCM5721 Gigabit Ethernet Controller**, select **Windows Server 20003** and click on **Setup**.
4. Follow the instruction to complete the driver installation.
5. After installing the driver, you would see **Broadcom NetXtreme Gigabit Ethernet** listed in Network adapters.

VGA Driver Installation (onboard XGI Z9s)

1. Windows will treat onboard XGI Z9s as Standard VGA device. You can find the XGI Z9s driver in EasyBUILD 8.0 build 100. Please insert the EasyBUILD 8.0 build 100 into the optical drive.
2. Expand **Drivers** -> **Altos G330 Mk2** -> **Graphics adapters** -> **XGI Z9s**, select **Windows Server 2003** and click on **Setup**.
3. Follow the instruction to install the VGA driver.
4. Please reboot the server after the driver is installed.

5. After the system rebooted, you would see **XGI Z7/Z9/Z9s/Z11 v1.09.03** listed in Display adapters in Device Manager.

RAID Utility Installation

1. For installing MegaRAID Storage Manager for onboard SATA RAID, please insert the EasyBUILD 8.0 build 100 into the optical drive.
2. Expand **Utilities** -> **Altos G330 Mk2** -> **Onboard SATA RAID**, select **MegaRAID Storage Manager (Windows Server 2003)** and click on **Setup**.
3. Follow the instruction, accept the license agreement and use the default setting to the **Setup Type**.
4. At the **Setup Type**, please select **Custom Installation** and **StandAlone**.
5. Follow the instruction again to complete the installation.

Network Utility Installation

1. For installing Broadcom Advanced Control Suite for onboard Broadcom BMC5721 Gigabit Ethernet controller, Please insert the EasyBUILD 8.0 build 100 into the optical drive.
2. Expand **Utilities** -> **Altos G330 Mk2** -> **Broadcom Gigabit Ethernet Controller**, select **BACS Utility (Windows Server 2003)** and click on **Setup**.
3. Follow the instruction, accept the license agreement and use the default setting to complete the Broadcom Advanced Control Suite installation.

Windows Server 2003 R2 Enterprise Edition SP2 Installation (with LSI MegaRAID SAS 8204ELP)

Below information describes how to manually install Windows Server 2003 R2 Enterprise Edition SP2 on Altos G330 Mk2 with LSI MegaRAID SAS 8204ELP.

Drivers Required

For Windows 2003 R2 Installation, the following device drivers are required.

Device	Version	Directory on EasyBUILD
LSI MegaRAID SAS 8204ELP	9.21.0914.2007	\\Disk\G330Mk2\sas\8204elp\w2k3\
Onboard Intel 3200 Chipset	8.4.0.1017	\\Disk\g330Mk2\onboard\Chipset\
Onboard Broadcom BCM 5721 Gigabit Ethernet	10.39.0.0	\\Disk\g330Mk2\nic\BCM\windows\ws03
Onboard XGI Z9s	6.14.10.900	\\Disk\G330Mk2\onboard\vga\xgiz9s\ws03\

Software Required

The management utility for LSI MegaRAID SAS 8204ELP and NIC can be found

in the EasyBUILD 8.0 build 100 (or later).

Software	Version	Directory on EasyBUILD
MegaRAID Storage Manager	2.30-00	\app\G330Mk2\sas\8204ELP\Windows\
Broadcom Advanced Control Suite	10.5.3.0	\app\g330Mk2\nic\bacslws03\

Configuring LSI MegaRAID SAS 8204ELP

Please refer to the Appendix C. for the LSI MegaRAID SAS 8204ELP configuration.

Installation Tips

1. As Windows Server 2003 R2 can't recognize the LSI MegaRAID SAS 8204ELP, you need to make a driver diskette from the EasyBUILD 8.0 build 100 first before the installation.
2. Press F6 at the beginning of installation for providing the driver diskette for the LSI MegaRAID SAS 8204ELP.
3. Select "LSI Logic Embedded MegaRAID (Windows XP/2003)" as target driver
4. After loading the RAID driver from diskette, follow the normal procedure to finish the installation.

Chipset Driver Installation

The chipset driver installation is the same as onboard SATA RAID enabled. Please refer to the Windows Server 2003 R2 Enterprise Edition (with Onboard SATA RAID) Chipset Driver Installation section.

Gigabit Ethernet Driver Installation

The Broadcom BCM5721 driver installation is the same as onboard SATA RAID enabled. Please refer to the Windows Server 2003 R2 Enterprise Edition (with onboard SATA RAID) Gigabit Ethernet Driver Installation section.

VGA Driver Installation (onboard XGI Z9s)

The XGI Z9s driver installation is the same as onboard SATA RAID enabled. Please refer to the Windows Server 2003 R2 Enterprise Edition (with LSI onboard SATA RAID) XGI Z9x Driver Installation section.

RAID Utility Installation

The MegaRAID Storage Manager installation is the same as onboard SATA RAID enabled. Please refer to the Windows Server 2003 R2 Enterprise Edition (with onboard SATA RAID) RAID Utility Installation section.

Network Utility Installation

The Broadcom Advanced Control Suite installation is the same as onboard SATA RAID enabled. Please refer to the Windows Server 2003 R2 Enterprise Edition (with onboard SATA RAID) Network Utility Installation section.

Windows Server 2003 R2 Enterprise Edition SP2 Installation (with LSI MegaRAID SAS 8708ELP)

Below information describes how to manually install Windows Server 2003 R2 Enterprise Edition on Altos G330 Mk2 with MegaRAID SAS 8708ELP installed.

Drivers Required

For Windows 2003 R2 Installation, the following device drivers are required.

Device	Version	Directory on EasyBUILD
LSI MegaRAID SAS 8708ELP	2.17.0.32	\\Disk\G330Mk2\sas\8708elp\w2k3\
Onboard Intel 3200 Chipset	8.4.0.1017	\\Disk\g330Mk2\onboard\Chipset\
Onboard Broadcom BCM 5721 Gigabit Ethernet	10.39.0.0	\\Disk\g330Mk2\nic\BCM\windows\ws03
Onboard XGI Z9s	6.14.10.900	\\Disk\G330Mk2\onboard\vga\xgiz9s\ws03\

Software Required

The management utility for LSI MegaRAID SAS 8708ELP can be found in the EasyBUILD 8.0 build 100 (or later).

Software	Version	Directory on EasyBUILD
MegaRAID Storage Manager	2.30-00	\\app\G330Mk2\sas\8708ELP\Windows\
Broadcom Advanced Control Suite	10.5.3.0	\\app\g330Mk2\nic\bacs\ws03\

Configuring LSI MegaRAID SAS 8708ELP

Please refer to the Appendix B. for the LSI MegaRAID SAS 8708ELP configuration.

Installation Tips

1. As Windows Server 2003 R2 can't recognize the LSI MegaRAID SAS 8708ELP, you need to make a driver diskette from the EasyBUILD 8.0 build 100 first before the installation.
2. Press F6 at the start of installation to provide the driver disk for the LSI MegaRAID SAS 8708ELP.

3. Select "LSI Logic MegaRAID SAS RAID Controller Driver (Server 2003 32-bit)" as target driver
4. After loading the RAID driver from diskette, follow the normal procedure to finish the installation.

Chipset Driver Installation

The chipset driver installation is the same as onboard SATA RAID enabled. Please refer to the Windows Server 2003 R2 Enterprise Edition (with Onboard SATA RAID) Chipset Driver Installation section.

Gigabit Ethernet Driver Installation

The Broadcom BCM5721 driver installation is the same as onboard SATA RAID enabled. Please refer to the Windows Server 2003 R2 Enterprise Edition (with onboard SATA RAID) Gigabit Ethernet Driver Installation section.

VGA Driver Installation (onboard XGI Z9s)

The XGI Z9s driver installation is the same as onboard SATA RAID enabled. Please refer to the Windows Server 2003 R2 Enterprise Edition (with LSI onboard SATA RAID) XGI Z9x Driver Installation section.

RAID Utility Installation

The MegaRAID Storage Manager installation is the same as onboard SATA RAID enabled. Please refer to the Windows Server 2003 R2 Enterprise Edition (with onboard SATA RAID) RAID Utility Installation section.

Network Utility Installation

The Broadcom Advanced Control Suite installation is the same as onboard SATA RAID enabled. Please refer to the Windows Server 2003 R2 Enterprise Edition (with onboard SATA RAID) Network Utility Installation section.

Windows 2000 Advanced Server SP4 Installation (with LSI MegaRAID SAS 8204ELP)

Below information describes how to manually install Windows 2000 Advanced Server SP4 on Altos G540 with LSI MegaRAID SAS 8204ELP.

Drivers Required

For Windows 2000 Installation, the following device drivers are required.

Device	Version	Directory on EasyBUILD
LSI MegaRAID SAS 8204ELP	9.21.914.2007	\\Disk\G330Mk2\sas\8204elp\w2k\
Onboard Intel 3200 Chipset	8.4.0.1017	\\Disk\g330Mk2\onboard\Chipset\
Onboard Broadcom BCM 5721 Gigabit Ethernet	10.39.0.0	\\Disk\g330Mk2\nic\BCM\windows\w2k

Onboard XGI Z9s	6.14.10.900	\\Disk\g330Mk2\onboard\vga\xgiz9s\ws2k\
-----------------	-------------	---

Software Required

The management utility for LSI MegaRAID SAS and NIC can be found in the EasyBUILD 8.0 build 100 (or later).

Software	Version	Directory on EasyBUILD
MegaRAID Storage Manager	2.30-00	\\app\G330Mk2\sas\sataraid\Windows\
Broadcom Advanced Control Suite	10.5.3.0	\\app\g330Mk2\nic\bacs\ws2k\

Configuring LSI MegaRAID SAS 8204ELP

Please refer to the Appendix C. for the LSI MegaRAID SAS 8204ELP configuration.

Installation Tips

1. As Windows 2000 can't recognize the LSI MegaRAID SAS 8204ELP, you need to make a driver diskette from the EasyBUILD 8.0 build 100 first before the installation.
2. Press F6 at the beginning of installation for providing the driver diskette for the LSI MegaRAID SAS 8204ELP.
3. Select "LSI Logic Embedded MegaRAID (Windows 2000 SP4)" as target driver
4. After loading the SAS driver from diskette, follow the normal procedure to finish the installation.

Chipset Driver Installation

1. Please insert the EasyBUILD 8.0 build 100 (or later) into the optical drive
2. Expand **Drivers** -> **Altos G330 Mk2** -> **Chipset** -> **Intel 3200 Chipset** and double-click on **Windows 2000**.
3. Follow the instruction to install the chipset driver and reboot the server after the driver is installed.

Gigabit Ethernet Driver Installation

1. There is one **Ethernet Controller** listed under **Other device** in Windows Device Manager. It is the onboard Broadcom BCM5721 Gigabit Ethernet controller. You could find the driver in EasyBUILD 8.0 build 100 (or later).
2. Please insert the EasyBUILD 8.0 build 100 (or later) into the optical drive
3. Expand **Drivers** -> **Altos G330 Mk2** -> **Network Adapters** -> **Broadcom BCM5721 Gigabit Ethernet Controller**, select **Windows 2000** and click on

Setup.

4. Follow the instruction to complete the driver installation.
5. After installing the driver, you would see **Broadcom NetXtreme Gigabit Ethernet** listed in Network adapters.

VGA Driver Installation (onboard XGI Z9s)

1. Windows 2000 cannot recognize the onboard VGA. You can find the XGI Z9s driver in EasyBUILD 8.0 build 100. Please insert the EasyBUILD 8.0 build 100 into the optical drive.
2. Expand **Drivers -> Altos G330 Mk2 -> Graphics adapters -> XGI Z9s**, select **Windows 2000** and click on **Setup**.
3. Follow the instruction to install the VGA driver.
4. Please reboot the server after the driver is installed.
5. After the system rebooted, you would see **XGI Z7/Z9/Z9s/Z11 v1.09.03** listed in Display adapters in Device Manager.

RAID Utility Installation

1. For installing MegaRAID Storage Manager for onboard SATA RAID, please insert the EasyBUILD 8.0 build 100 into the optical drive.
2. Expand **Utilities -> Altos G330 Mk2 -> Onboard SATA RAID**, select **MegaRAID Storage Manager (Windows 2000)** and click on **Setup**.
3. Follow the instruction, accept the license agreement and use the default setting to the **Setup Type**.
4. At the **Setup Type**, please select **Custom Installation** and **StandAlone**.
5. Follow the instruction again to complete the installation.

Network Utility Installation

1. For installing Broadcom Advanced Control Suite for onboard Broadcom BMC5721 Gigabit Ethernet controller, Please insert the EasyBUILD 8.0 build 100 into the optical drive.
2. Expand **Utilities -> Altos G330 Mk2 -> Broadcom Gigabit Ethernet Controller**, select **BACS Utility (Windows 2000)** and click on **Setup**.
3. Follow the instruction, accept the license agreement and use the default setting to complete the Broadcom Advanced Control Suite installation.

Windows 2000 Advanced Server SP4 Installation (with LSI MegaRAID SAS 8708ELP)

Below information describes how to manually install Microsoft Windows 2000 Advanced Server SP4 on Altos G330 Mk2 with LSI MegaRAID SAS 8708ELP installed.

Drivers Required

For Windows 2000 Installation, the following device drivers are required.

Device	Version	Directory on EasyBUILD
LSI MegaRAID SAS 8708ELP	2.17.0.32	\Disk\G330Mk2\sas\8708elp\w2k\
Onboard Intel 3200 Chipset	8.4.0.1017	\Disk\g330Mk2\onboard\Chipset\
Onboard Broadcom BCM 5721 Gigabit Ethernet	10.39.0.0	\Disk\g330Mk2\nic\BCM\windows\w2k
Onboard XGI Z9s	6.14.10.900	\Disk\g330Mk2\onboard\vga\xgiz9s\ws2k\

Software Required

The management utility of LSI MegaRAID SAS 8708ELP can be found in the EasyBUILD 8.0 build 100 (or later).

Software	Version	Directory on EasyBUILD
MegaRAID Storage Manager	2.30-00	\app\G330Mk2\sas\sataraid\Windows\
Broadcom Advanced Control Suite	10.5.3.0	\app\g330Mk2\nic\bacs\ws2k\

Configuring LSI MegaRAID SAS 8708ELP

Please refer to the Appendix B. for the LSI MegaRAID SAS 8708ELP configuration.

Installation Tips

1. As Windows 2000 can't recognize the LSI MegaRAID SAS 8708ELP, you need to make a driver diskette from the EasyBUILD 8.0 build 100 first before the installation.
2. Press F6 at the start of installation to provide the driver disk for the MegaRAID SAS 8708ELP.
3. Select "**LSI MegaRAID SAS RAID Controller Driver (Windows 2000)**" as target driver
4. After loading the driver from diskette, follow the normal procedure to finish the installation.

Chipset Driver Installation

The chipset driver installation is the same as LSI MegaRAID SAS 8204ELP installed. Please refer to the Windows 2000 Advanced Server SP4 Installation (with LSI MegaRAID SAS 8204ELP) Chipset Driver Installation section.

Gigabit Ethernet Driver Installation

The Broadcom BCM5721 driver installation is the same as onboard SATA RAID enabled. Please refer to the Windows 2000 Advanced Server SP4 Installation (with LSI MegaRAID SAS 8204ELP) Gigabit Ethernet Driver Installation section.

VGA Driver Installation (onboard XGI Z9s)

The XGI Z9s driver installation is the same as onboard SATA RAID enabled. Please refer to the Windows 2000 Advanced Server SP4 Installation (with LSI MegaRAID SAS 8204ELP) XGI Z9s Driver Installation section.

RAID Utility Installation

The MegaRAID Storage Manager installation is the same as onboard SATA RAID enabled. Please refer to the Windows 2000 Advanced Server SP4 Installation (with LSI MegaRAID SAS 8204ELP) RAID Utility Installation section.

Network Utility Installation

The Broadcom Advanced Control Suite installation is the same as onboard SATA RAID enabled. Please refer to the Windows 2000 Advanced Server SP4 Installation (with LSI MegaRAID SAS 8204ELP) Network Utility Installation section.

Windows Vista x64 Enterprise Edition Installation (with onboard SATA RAID)

Below information describes how to manually install Windows Vista x64 Enterprise Edition on Altos G330 Mk2 with onboard SATA RAID.

Drivers Required

For Windows Vista x64 Installation, the following device drivers are required.

Device	Version	Directory on EasyBUILD
Onboard SATA RAID	9.25.1029.2007	\\Disk\g330Mk2\onboard\sataraid\x64\vista
Onboard Intel 3200 Chipset	8.4.0.1017	\\Disk\g330Mk2\onboard\Chipset\
Onboard Broadcom BCM 5721 Gigabit Ethernet	10.43.0.0	\\Disk\g330Mk2\nic\BCM\windows\x64\vista\
Onboard XGI Z9s	6.14.10.900	\\Disk\g330Mk2\onboard\vga\xgiz9s\x64\vista\
Infineon SLB 9635 TT 1.2 Trusted Platform module	6.0.6000.16386	OS built-in

Software Required

The management utility for onboard SATA RAID can be found in the EasyBUILD 8.0 build 100 (or later).

Software	Version	Directory on EasyBUILD
MegaRAID Storage Manager	2.30-00	\app\G330Mk2\sas\sataraid\Windows\
Broadcom Advanced Control Suite	10.5.3.0	\app\g330Mk2\nic\bacs\x64\vista\

Configuring onboard SATA RAID

Please refer to the Appendix A. for the onboard SATA RAID configuration.

Installation Tips

1. Since Windows Vista x64 CANNOT recognize the onboard SATA RAID, please make the driver diskette from the EasyBUILD 8.0 build 100 first before the installation.
2. Please boot the system from the Windows Vista x64 CD/DVD. You will see the message shows "A required CD/DVD drive device is missing. If you have a driver floppy disk, CD, DVD, or USB flash drive, please insert it now."
3. Insert the driver diskette into the floppy drive, click on **Browse**, select **Floppy Disk Drive (A:)** and click on **OK**.
4. Select "**LSI Logic Embedded MegaRAID (A:\MegaSR.INF)**" and click on **Next** to load the driver.
5. After the driver is loaded, please follow the instructions to finish the installation.

Chipset Driver Installation

1. After the installation completes, you would see there is a SM Bus Controller under Other devices listed in Device Manager.
2. Please insert the EasyBUILD 8.0 build 100 (or later) into the optical drive
3. Expand **Drivers -> Altos G330 Mk2 -> Chipset -> Intel 3200**, select **Windows 2000** and click on **Setup**.
4. Follow the instruction to install the chipset driver and reboot the server after the driver is installed.

Gigabit Ethernet Driver Installation

Although the Windows Vista x64 Enterprise Edition could detect the onboard Broadcom Gigabit Ethernet automatically, we still replace the driver with the one in the EasyBUILD 8.1 build 100 (or later).

1. Please insert the EasyBUILD 8.0 build 100 (or later) into the optical drive
2. Expand **Drivers -> Altos G330 Mk2 -> Network Adapters -> Broadcom BCM5721 Gigabit Ethernet Controller**, select **Windows Vista x64** and click

on **Setup**.

3. Follow the instruction, accept the license agreement and use the default setting to complete the driver installation.
4. After installing the driver, you would see **Broadcom NetXtreme Gigabit Ethernet** listed in Network adapters.

VGA Driver Installation (onboard XGI Z9s)

1. Windows Vista x64 will treat onboard XGI Z9s as Standard VGA device. You can find the XGI Z9s driver in EasyBUILD 8.0 build 100. Please insert the EasyBUILD 8.0 build 100 into the optical drive.
2. Expand **Drivers -> Altos G330 Mk2 -> Graphics adapters -> XGI Z9s**, select **Windows Vista x64** and click on **Setup**.
3. Click on **Display Driver** and follow the instruction to install the VGA driver.
4. When you see the **Windows Security** warning message, please select **Install this driver software anyway**.
5. Please reboot the server after the driver is installed.
6. After the system rebooted, you would see **XGI Z7/Z9/Z9s/Z11 v1.09.03** listed in Display adapters in Device Manager.

TPM Driver Installation (Optional)

NOTE. This TPM driver and utility are only needed when TPM module is installed on Altos G330 Mk2.

Windows Vista x64 has the built-in driver for Infineon SLB 9635 TT 1.2 Trusted Platform module. You do not to manually install driver.

RAID Utility Installation

1. For installing MegaRAID Storage Manager for onboard SATA RAID, please insert the EasyBUILD 8.0 build 100 into the optical drive.
2. Expand **Utilities -> Altos G330 Mk2 -> Onboard SATA RAID**, select **MegaRAID Storage Manager (Windows Vista x64)** and click on **Setup**.
3. Follow the instruction, accept the license agreement and use the default setting to the **Setup Type**.
4. At the **Setup Type**, please select **Custom Installation** and **StandAlone**.
5. Follow the instruction again to complete the installation.

Network Utility Installation

1. For installing Broadcom Advanced Control Suite for onboard Broadcom BMC5721 Gigabit Ethernet controller, Please insert the EasyBUILD 8.0 build 100 into the optical drive.
2. Expand **Utilities -> Altos G330 Mk2 -> Broadcom Gigabit Ethernet**

Controller, select **BACS Utility (Windows Vista x64)** and click on **Setup**.

3. Follow the instruction, accept the license agreement and use the default setting to complete the Broadcom Advanced Control Suite installation.

Windows Vista x64 Enterprise Edition Installation (with LSI MegaRAID SAS 8204ELP)

Below information describes how to manually install Windows Vista x64 Enterprise Edition on Altos G330 Mk2 with LSI MegaRAID SAS 8204ELP installed.

Drivers Required

For Windows Vista x64 Installation, the following device drivers are required.

Device	Version	Directory on EasyBUILD
LSI MegaRAID SAS 8204ELP	8.9.518.2007	\\Disk\G330Mk2\sas\8204elp\x64\vista\
Onboard Intel 3200 Chipset	8.4.0.1017	\\Disk\g330Mk2\onboard\Chipset\
Onboard Broadcom BCM 5721 Gigabit Ethernet	10.43.0.0	\\Disk\g330Mk2\nic\BCM\windows\x64\vista\
Onboard XGI Z9s	6.14.10.900	\\Disk\g330Mk2\onboard\vga\xgiz9s\x64\vista\
Infineon SLB 9635 TT 1.2 Trusted Platform module	6.0.6000.16386	OS built-in

Software Required

The management utility for LSI MegaRAID SAS 8204ELP can be found in the EasyBUILD 8.0 build 100 (or later).

Software	Version	Directory on EasyBUILD
MegaRAID Storage Manager	2.30-00	\\app\G330Mk2\sas\8204ELP\Windows\
Broadcom Advanced Control Suite	10.5.3.0	\\app\g330Mk2\nic\bacs\x64\vista\

Configuring LSI MegaRAID SAS 8204ELP

Please refer to the Appendix C. for the LSI MegaRAID SAS 8204ELP configuration.

Installation Tips

1. Windows Vista x64 cannot recognize the onboard SATA RAID, please make the driver diskette from the EasyBUILD 8.0 build 100 first before the installation.
2. Please boot the system form the Windows Vista x64 CD/DVD. Follow the

instructions to do the installation.

3. When you see the **“Where do you want to install Windows?”** on the screen, please insert the driver diskette and click on **Load Driver**.
4. Click on **OK**. You will see the supported devices listed.
5. Select **“LSI MegaRAID SAS 8208ELP and 8708ELP (A:\MegaSR.INF)”** and click on **Next**.
6. After the driver is loaded and returned to **“Where do you want to install Windows?”** page, click on **Next** to continue the installation.
7. Follow the instructions to finish the installation.

Chipset Driver Installation

The chipset driver installation is the same as onboard SATA RAID enabled. Please refer to the Windows Vista x64 Enterprise Edition Installation (with onboard SATA RAID) Chipset Driver Installation section.

Gigabit Ethernet Driver Installation

The Broadcom BCM5721 driver installation is the same as onboard SATA RAID enabled. Please refer to the Windows Vista x64 Enterprise Edition Installation (with onboard SATA RAID) Gigabit Ethernet Driver installation section.

VGA Driver Installation (onboard XGI Z9s)

The XGI Z9s driver installation is the same as onboard SATA RAID enabled. Please refer to the Windows Vista x64 Enterprise Edition Installation (with onboard SATA RAID) VGA Driver Installation (onboard XGI Z9s) section.

TPM Driver Installation (Optional)

NOTE. This TPM driver and utility are only needed when TPM module is installed on Altos G330 Mk2.

Windows Vista x64 has the built-in driver for Infineon SLB 9635 TT 1.2 Trusted Platform module. You do not to manually install driver.

RAID Utility Installation

The MegaRAID Storage Manager installation is the same as onboard SATA RAID enabled. Please refer to the Windows Vista x64 Enterprise Edition Installation (with onboard SATA RAID) RAID Utility Installation section.

Network Utility Installation

The Broadcom Advanced Control Suite installation is the same as onboard SATA RAID enabled. Please refer to the Windows Vista x64 Enterprise Edition Installation (with onboard SATA RAID) Network Utility Installation section.

Windows Vista x64 Enterprise Edition Installation (with LSI MegaRAID SAS 8708ELP)

Below information describes how to manually install Windows Vista x64 Enterprise Edition on Altos G330 Mk2 with LSI MegaRAID SAS 8708ELP installed.

Drivers Required

For Windows Vista x64 Installation, the following device drivers are required.

Device	Version	Directory on EasyBUILD
LSI MegaRAID SAS 8708ELP	2.17.0.64	\\Disk\G330Mk2\sas\8708elp\x64\vista
Onboard Intel 3200 Chipset	8.4.0.1017	\\Disk\g330Mk2\onboard\Chipset\
Onboard Broadcom BCM 5721 Gigabit Ethernet	10.43.0.0	\\Disk\g330Mk2\nic\BCM\windows\x64\vista\
Onboard XGI Z9s	6.14.10.900	\\Disk\g330Mk2\onboard\vga\xgiz9s\x64\vista\
Infineon SLB 9635 TT 1.2 Trusted Platform module	6.0.6000.1638 6	OS built-in

Software Required

The management utility for LSI MegaRAID SAS 8708ELP can be found in the EasyBUILD 8.0 build 100 (or later).

Software	Version	Directory on EasyBUILD
MegaRAID Storage Manager	2.30-00	\\app\G330Mk2\sas\8708ELP\Windows\
Broadcom Advanced Control Suite	10.5.3.0	\\app\g330Mk2\nic\bacs\x64\vista\

Configuring LSI MegaRAID SAS 8708ELP

Please refer to the Appendix B. for the LSI MegaRAID SAS 8708ELP configuration.

Installation Tips

1. Though Windows Vista x64 can recognize the LSI MegaRAID SAS 8708ELP, we still replace the driver with the one in EasyBUILD. Please make the driver diskette from the EasyBUILD 8.0 build 100 first before the installation.
2. Please boot the system from the Windows Vista x64 CD/DVD. Follow the instructions to do the installation.
3. When you see the "Where do you want to install Windows?" on the screen, please insert the driver diskette and click on **Load Driver**.

-
4. Click on **OK**. You will see the supported devices listed.
 5. Select “**LSI MegaRAID SAS 8708ELP RAID (A:\oemsetup.inf)**” and click on **Next**.
 6. After the driver is loaded and returned to “**Where do you want to install Windows?**” page, click on **Next** to continue the installation.
 7. Follow the instructions to finish the installation.

Chipset Driver Installation

The chipset driver installation is the same as onboard SATA RAID enabled. Please refer to the Windows Vista x64 Enterprise Edition Installation (with onboard SATA RAID) Chipset Driver Installation section.

Gigabit Ethernet Driver Installation

The Broadcom BCM5721 driver installation is the same as onboard SATA RAID enabled. Please refer to the Windows Vista x64 Enterprise Edition Installation (with onboard SATA RAID) Gigabit Ethernet Driver installation section.

VGA Driver Installation (onboard XGI Z9s)

The XGI Z9s driver installation is the same as onboard SATA RAID enabled. Please refer to the Windows Vista x64 Enterprise Edition Installation (with onboard SATA RAID) VGA Driver Installation (onboard XGI Z9s) section.

TPM Driver Installation (Optional)

NOTE. This TPM driver and utility are only needed when TPM module is installed on Altos G330 Mk2.

Windows Vista x64 has the built-in driver for Infineon SLB 9635 TT 1.2 Trusted Platform module. You do not to manually install driver.

RAID Utility Installation

The MegaRAID Storage Manager installation is the same as onboard SATA RAID enabled. Please refer to the Windows Vista x64 Enterprise Edition Installation (with onboard SATA RAID) RAID Utility Installation section.

Network Utility Installation

The Broadcom Advanced Control Suite installation is the same as onboard SATA RAID enabled. Please refer to the Windows Vista x64 Enterprise Edition Installation (with onboard SATA RAID) Network Utility Installation section.

Windows Vista Enterprise Edition Installation (with onboard SATA RAID)

Below information describes how to manually install Windows Vista Enterprise Edition on Altos G330 Mk2 with onboard SATA RAID.

Drivers Required

For Windows Vista Installation, the following device drivers are required.

Device	Version	Directory on EasyBUILD
Onboard SATA RAID	9.25.1029.2007	\Disk\g330Mk2\onboard\sataraid\vista
Onboard Intel 3200 Chipset	8.4.0.1017	\Disk\g330Mk2\onboard\Chipset\
Onboard Broadcom BCM 5721 Gigabit Ethernet	10.43.0.0	\Disk\g330Mk2\nic\BCM\windows\vista\
Onboard XGI Z9s	6.14.10.900	\Disk\g330Mk2\onboard\vga\xgiz9s\x64\vista\
Infineon SLB 9635 TT 1.2 Trusted Platform module	6.0.6000.16386	OS built-in

Software Required

The management utility for onboard SATA RAID can be found in the EasyBUILD 8.0 build 100 (or later).

Software	Version	Directory on EasyBUILD
MegaRAID Storage Manager	2.30-00	\app\G330Mk2\sas\sataraid\Windows\
Broadcom Advanced Control Suite	10.5.3.0	\app\g330Mk2\nic\bacs\vista\

Configuring onboard SATA RAID

Please refer to the Appendix A. for the onboard SATA RAID configuration.

Installation Tips

1. Since Windows Vista CANNOT recognize the onboard SATA RAID, please make the driver diskette from the EasyBUILD 8.0 build 100 first before the installation.
2. Please boot the system from the Windows Vista CD/DVD. You will see the message shows "A required CD/DVD drive device is missing. If you have a driver floppy disk, CD, DVD, or USB flash drive, please insert it now."
3. Insert the driver diskette into the floppy drive, click on **Browse**, select **Floppy Disk Drive (A:)** and click on **OK**.
4. Select "**LSI Logic Embedded MegaRAID (A:\MegaSR.INF)**" and click on **Next** to load the driver.
5. After the driver is loaded, please follow the instructions to finish the installation.

Chipset Driver Installation

1. After the installation completes, you would see there is a SM Bus Controller under Other devices listed in Device Manager.
2. Please insert the EasyBUILD 8.0 build 100 (or later) into the optical drive
3. Expand **Drivers** -> **Altos G330 Mk2** -> **Chipset** -> **Intel 3200 Chipset**, select **Windows Vista** and click on **Setup**.
4. Follow the instruction to install the chipset driver and reboot the server after the driver is installed.

Gigabit Ethernet Driver Installation

Although the Windows Vista Enterprise Edition could detect the onboard Broadcom Gigabit Ethernet automatically, we still replace the driver with the one in the EasyBUILD 8.1 build 100 (or later).

1. Please insert the EasyBUILD 8.0 build 100 (or later) into the optical drive
2. Expand **Drivers** -> **Altos G330 Mk2** -> **Network Adapter** -> **Broadcom BCM5721 Gigabit Ethernet Adapter**, select **Windows Vista x64** and click on **Setup**.
3. Accept the license agreement and follow the instruction to complete the driver installation.
4. After installing the driver, you would see **Broadcom NetXtreme Gigabit Ethernet** listed in Network adapters.

VGA Driver Installation (onboard XGI Z9s)

1. Windows Vista will treat onboard XGI Z9s as Standard VGA device. You can find the XGI Z9s driver in EasyBUILD 8.0 build 100. Please insert the EasyBUILD 8.0 build 100 into the optical drive.
2. Expand **Drivers** -> **Altos G330 Mk2** -> **Graphics adapters** -> **XGI Z9s**, select **Windows Vista** and click on **Setup**.
3. Click on **Display Driver** and follow the instruction to install the VGA driver.
4. When you see the **Windows Security** warning message, please select **Install this driver software anyway**.
5. Please reboot the server after the driver is installed.
6. After the system rebooted, you would see **XGI Z7/Z9/Z9s/Z11 v1.09.03** listed in Display adapters in Device Manager.

TPM Driver Installation (Optional)

NOTE. This TPM driver is only needed when TPM module is installed on Altos G330 Mk2.

Windows Vista has the built-in driver for Infineon SLB 9635 TT 1.2 Trusted

Platform module. You do not need to manually install the driver.

RAID Utility Installation

1. For installing MegaRAID Storage Manager for onboard SATA RAID, please insert the EasyBUILD 8.0 build 100 into the optical drive.
2. Expand **Utilities** -> **Altos G330 Mk2** -> **Onboard SATA RAID**, select **MegaRAID Storage Manager (Windows Vista)** and click on **Setup**.
3. Follow the instruction, accept the license agreement and use the default setting to the **Setup Type**.
4. At the **Setup Type**, please select **Custom Installation** and **StandAlone**.
5. Follow the instruction again to complete the installation.

Network Utility Installation

1. For installing Broadcom Advanced Control Suite for onboard Broadcom BMC5721 Gigabit Ethernet controller, please insert the EasyBUILD 8.0 build 100 into the optical drive.
2. Expand **Utilities** -> **Altos G330 Mk2** -> **Broadcom Gigabit Ethernet Controller**, select **BACS Utility (Windows Vista)** and click on **Setup**.
3. Follow the instruction, accept the license agreement and use the default setting to complete the Broadcom Advanced Control Suite installation.

Windows Vista Enterprise Edition Installation (with LSI MegaRAID SAS 8204ELP)

Below information describes how to manually install Windows Vista Enterprise Edition on Altos G330 Mk2 with LSI MegaRAID SAS 8204ELP installed.

Drivers Required

For Windows Vista Installation, the following device drivers are required.

Device	Version	Directory on EasyBUILD
LSI MegaRAID SAS 8204ELP	8.9.518.2007	\\Disk\G330Mk2\sas\8204elp\vista\
Onboard Intel 3200 Chipset	8.4.0.1017	\\Disk\g330Mk2\onboard\Chipset\
Onboard Broadcom BCM 5721 Gigabit Ethernet	10.43.0.0	\\Disk\g330Mk2\nic\BCM\windows\vista\ \
Onboard XGI Z9s	6.14.10.900	\\Disk\g330Mk2\onboard\vga\xgiz9s\x64\vista\
Infineon SLB 9635 TT 1.2 Trusted Platform module	6.0.6000.1638 6	OS built-in

Software Required

The management utility for LSI MegaRAID SAS 8204ELP can be found in the EasyBUILD 8.0 build 100 (or later).

Software	Version	Directory on EasyBUILD
MegaRAID Storage Manager	2.30-00	\app\G330Mk2\sas\8204ELP\Windows\
Broadcom Advanced Control Suite	10.5.3.0	\app\g330Mk2\nic\bacs\x64\vista\

Configuring LSI MegaRAID SAS 8204ELP

Please refer to the Appendix C. for the LSI MegaRAID SAS 8204ELP configuration.

Installation Tips

1. Windows Vista cannot recognize the onboard SATA RAID, please make the driver diskette from the EasyBUILD 8.0 build 100 first before the installation.
2. Please boot the system from the Windows Vista x64 CD/DVD. Follow the instructions to do the installation.
3. When you see the “**Where do you want to install Windows?**” on the screen, please insert the driver diskette and click on **Load Driver**.
4. Click on **OK**. You will see the supported devices listed.
5. Select “**LSI MegaRAID SAS 8208ELP and 8708ELP (A:\MegaSR.INF)**” and click on **Next**.
6. After the driver is loaded and returned to “**Where do you want to install Windows?**” page, click on **Next** to continue the installation.
7. Follow the instructions to finish the installation.

Chipset Driver Installation

The chipset driver installation is the same as onboard SATA RAID enabled. Please refer to the Windows Vista Enterprise Edition Installation (with onboard SATA RAID) Chipset Driver Installation section.

Gigabit Ethernet Driver Installation

The Broadcom BCM5721 driver installation is the same as onboard SATA RAID enabled. Please refer to the Windows Vista Enterprise Edition Installation (with onboard SATA RAID) Gigabit Ethernet Driver installation section.

VGA Driver Installation (onboard XGI Z9s)

The XGI Z9s driver installation is the same as onboard SATA RAID enabled. Please refer to the Windows Vista Enterprise Edition Installation (with onboard

SATA RAID) VGA Driver Installation (onboard XGI Z9s) section.

TPM Driver Installation (Optional)

NOTE. This TPM driver and utility are only needed when TPM module is installed on Altos G330 Mk2.

Windows Vista has the built-in driver for Infineon SLB 9635 TT 1.2 Trusted Platform module. You do not to manually install driver.

RAID Utility Installation

The MegaRAID Storage Manager installation is the same as onboard SATA RAID enabled. Please refer to the Windows Vista Enterprise Edition Installation (with onboard SATA RAID) RAID Utility Installation section.

Network Utility Installation

The Broadcom Advanced Control Suite installation is the same as onboard SATA RAID enabled. Please refer to the Windows Vista Enterprise Edition Installation (with onboard SATA RAID) Network Utility Installation section.

Windows Vista Enterprise Edition Installation (with LSI MegaRAID SAS 8708ELP)

Below information describes how to manually install Windows Vista Enterprise Edition on Altos G330 Mk2 with LSI MegaRAID SAS 8708ELP installed.

Drivers Required

For Windows Vista Installation, the following device drivers are required.

Device	Version	Directory on EasyBUILD
LSI MegaRAID SAS 8708ELP	2.17.0.32	\\Disk\G330Mk2\sas\8708elp\
Onboard Intel 3200 Chipset	8.4.0.1017	\\Disk\g330Mk2\onboard\Chipset\
Onboard Broadcom BCM 5721 Gigabit Ethernet	10.43.0.0	\\Disk\g330Mk2\nic\BCM\windows\vista\
Onboard XGI Z9s	6.14.10.900	\\Disk\g330Mk2\onboard\vga\xgiz9s\X64\vista\
Infineon SLB 9635 TT 1.2 Trusted Platform module	6.0.6000.16386	OS built-in

Software Required

The management utility for LSI MegaRAID SAS 8708ELP can be found in the EasyBUILD 8.0 build 100 (or later).

Software	Version	Directory on EasyBUILD
MegaRAID Storage	2.30-00	\\app\G330Mk2\sas\8708ELP\Windows\

Manager		
Broadcom Advanced Control Suite	10.5.3.0	\\app\g330Mk2\nic\bacs\lx64\vista\

Configuring LSI MegaRAID SAS 8708ELP

Please refer to the Appendix B. for the LSI MegaRAID SAS 8708ELP configuration.

Installation Tips

1. Though Windows Vista can recognize the LSI MegaRAID SAS 8708ELP, we still replace the driver with the one in EasyBUILD. Please make the driver diskette from the EasyBUILD 8.0 build 100 first before the installation.
2. Please boot the system from the Windows Vista CD/DVD. Follow the instructions to do the installation.
3. When you see the “Where do you want to install Windows?” on the screen, please insert the driver diskette and click on **Load Driver**.
4. Click on **OK**. You will see the supported devices listed.
5. Select “**LSI MegaRAID SAS 8708ELP RAID (A:\loemsetup.inf)**” and click on **Next**.
6. After the driver is loaded and returned to “Where do you want to install Windows?” page, click on **Next** to continue the installation.
7. Follow the instructions to finish the installation.

Chipset Driver Installation

The chipset driver installation is the same as onboard SATA RAID enabled. Please refer to the Windows Vista Enterprise Edition Installation (with onboard SATA RAID) Chipset Driver Installation section.

Gigabit Ethernet Driver Installation

The Broadcom BCM5721 driver installation is the same as onboard SATA RAID enabled. Please refer to the Windows Vista Enterprise Edition Installation (with onboard SATA RAID) Gigabit Ethernet Driver installation section.

VGA Driver Installation (onboard XGI Z9s)

The XGI Z9s driver installation is the same as onboard SATA RAID enabled. Please refer to the Windows Vista Enterprise Edition Installation (with onboard SATA RAID) VGA Driver Installation (onboard XGI Z9s) section.

TPM Driver Installation (Optional)

NOTE. This TPM driver is only needed when TPM module is installed on Altos G330 Mk2.

Windows Vista has the built-in driver for Infineon SLB 9635 TT 1.2 Trusted

Platform module. You do not need to manually install the driver.

RAID Utility Installation

The MegaRAID Storage Manager installation is the same as onboard SATA RAID enabled. Please refer to the Windows Vista Enterprise Edition Installation (with onboard SATA RAID) RAID Utility Installation section.

Network Utility Installation

The Broadcom Advanced Control Suite installation is the same as onboard SATA RAID enabled. Please refer to the Windows Vista Enterprise Edition Installation (with onboard SATA RAID) Network Utility Installation section.

Windows XP x64 Professional Edition SP2 Installation (with onboard SATA RAID)

Below information describes how to manually install Windows XP x64 Professional Edition on Altos G330 Mk2 with onboard SATA RAID enabled.

Drivers Required

For Windows XP x64 Installation, the following device drivers are required.

Device	Version	Directory on EasyBUILD
Onboard SATA RAID	9.25.1029.2007	\\Disk\\g330Mk2\\onboard\\sataraid\\x64\\wsxp
Onboard Intel 3200 Chipset	8.4.0.1017	\\Disk\\g330Mk2\\onboard\\Chipset\\
Onboard Broadcom BCM 5721 Gigabit Ethernet	10.39.0.0	\\Disk\\g330Mk2\\nic\\BCM\\windows\\x64\\wsxp
Onboard XGI Z9s	6.14.10.900	\\Disk\\G330Mk2\\onboard\\vga\\xgiz9s\\x64\\wsxp\\

Software Required

The management utility for onboard SATA RAID and NIC can be found in the EasyBUILD 8.0 build 100 (or later).

Software	Version	Directory on EasyBUILD
MegaRAID Storage Manager	2.30-00	\\app\\G330Mk2\\sas\\sataraid\\Windows\\
Broadcom Advanced Control Suite	10.5.3.0	\\app\\g330Mk2\\nic\\bacs\\x64\\wsxp\\

Configuring onboard SATA RAID

Please refer to the Appendix A. for the onboard SATA RAID configuration.

Installation Tips

1. As Windows XP x64 can't recognize the onboard SATA RAID, you need to

make a driver diskette from the EasyBUILD 8.0 build 100 first before the installation.

2. Press F6 at the beginning of installation for providing the driver diskette for the onboard SATA RAID.
3. Select "**LSI Logic Embedded MegaRAID (Windows XP/2003 64-bit)**" as target driver
4. After loading the RAID driver from diskette, follow the normal procedure to finish the installation.

Chipset Driver Package Installation

1. Please insert the EasyBUILD 8.0 build 100 into the optical drive.
2. Expand **Drivers -> Altos G330 Mk2 -> Chipset -> Intel 3200 Chipset**, select **Windows XP x64** and click on Setup.
3. Follow the instruction to install the chipset driver and reboot the server after the driver is installed.

Gigabit Ethernet Driver Installation

1. There is one **Ethernet Controller** listed under **Other device** in Windows Device Manager. It should be the onboard Broadcom BCM5721 Gigabit Ethernet controller. You could find the driver in EasyBUILD 8.0 build 100 (or later).
2. Please insert the EasyBUILD 8.0 build 100 into the optical drive
3. Expand **Drivers -> Altos G330 Mk2 -> Network Adapters -> Broadcom BCM5721 Gigabit Ethernet Controller**, select **Windows XP x64** and click on **Setup**.
4. Accept the license agreement and follow the instruction to complete the driver installation.
5. After installing the driver, you would see **Broadcom NetXtreme Gigabit Ethernet** listed in Network adapters.

VGA Driver Installation (onboard XGI Z9s)

1. Windows XP x64 will treat onboard VGA as Standard VGA device. You can find the XGI Z9s driver in EasyBUILD 8.0 build 100. Please insert the EasyBUILD 8.0 build 100 into the optical drive.
6. Expand **Drivers -> Altos G330 Mk2 -> Graphics adapters -> XGI Z9s**, select **Windows XP x64** and click on **Setup**.
7. Follow the instruction to install the VGA driver.
8. Please reboot the server after the driver is installed.
9. After the system rebooted, you would see **XGI Z7/Z9/Z9s/Z11 v1.09.03** listed in Display adapters in Device Manager.

RAID Utility Installation

1. For installing MegaRAID Storage Manager for onboard SATA RAID, please insert the EasyBUILD 8.0 build 100 into the optical drive.
2. Expand **Utilities** -> **Altos G330 Mk2** -> **onboard SATA RAID**, select **MegaRAID Storage Manager (Windows XP x64)** and click on **Setup**.
3. Follow the instruction, accept the license agreement and use the default setting to the **Setup Type**.
4. At the **Setup Type**, please select **Custom Installation** and **StandAlone**.
5. Follow the instruction again to complete the installation.

Network Utility Installation

1. For installing Broadcom Advanced Control Suite for onboard Broadcom BMC5721 Gigabit Ethernet controller, please insert the EasyBUILD 8.0 build 100 into the optical drive.
2. Expand **Utilities** -> **Altos G330 Mk2** -> **Broadcom Gigabit Ethernet Controller**, select **BACS Utility (Windows XP x64)** and click on **Setup**.
3. Follow the instruction, accept the license agreement and use the default setting to complete the Broadcom Advanced Control Suite installation.

Windows XP x64 Professional Edition SP2 Installation (with LSI MegaRAID SAS 8204ELP)

Below information describes how to manually install Windows XP x64 Professional Edition on Altos G330 Mk2 with MegaRAID SAS 8204ELP installed.

Drivers Required

For Windows XP x64 Installation, the following device drivers are required.

Device	Version	Directory on EasyBUILD
MegaRAID SAS 8204ELP	9.21.0914.2007	\\Disk\\G330Mk2\\sas\\8204elp\\x64\\wsxp\\
Onboard Intel 3200 Chipset	8.4.0.1017	\\Disk\\g330Mk2\\onboard\\Chipset\\
Onboard Broadcom BCM 5721 Gigabit Ethernet	10.39.0.0	\\Disk\\g330Mk2\\nic\\BCM\\windows\\x64\\wsxp
Onboard XGI Z9s	6.14.10.900	\\Disk\\G330Mk2\\onboard\\vga\\xgiz9s\\x64\\wsxp\\

Software Required

The management utility for MegaRAID SAS 8204ELP and NIC can be found in the EasyBUILD 8.0 build 100 (or later).

Software	Version	Directory on EasyBUILD
----------	---------	------------------------

MegaRAID Storage Manager	2.30-00	\app\G330Mk2\sas\8204ELP\Windows\
Broadcom Advanced Control Suite	10.5.3.0	\app\g330Mk2\nic\bacs\64\wsxp\

Configuring LSI MegaRAID SAS 8204ELP

Please refer to the Appendix C. for the LSI MegaRAID SAS 8204ELP configuration.

Installation Tips

1. As Windows XP x64 can't recognize the MegaRAID SAS 8204ELP, you need to make a driver diskette from the EasyBUILD 8.0 build 100 first before the installation.
2. Press F6 at the beginning of installation for providing the driver diskette for the MegaRAID SAS 8204ELP.
3. Select "LSI Logic Embedded MegaRAID (Windows XP/2003 64-bit)" as target driver
4. After loading the SATA RAID driver from the diskette, follow the normal procedure to finish the installation.

Chipset Driver Package Installation

The chipset driver installation is the same as onboard SATA enabled. Please refer to the Windows XP x64 Professional Edition SP2 Installation (with onboard SATA RAID) Chipset Driver Installation section.

Gigabit Ethernet Driver Installation

The Broadcom BCM5721 driver installation is the same as onboard SATA RAID enabled. Please refer to the Windows XP x64 Professional Edition SP2 Installation (with onboard SATA RAID) Gigabit Ethernet Driver installation section.

VGA Driver Installation (onboard XGI Z9s)

The XGI Z9s driver installation is the same as onboard SATA RAID enabled. Please refer to the Windows XP x64 Professional Edition SP2 Installation (with onboard SATA RAID) VGA Driver Installation (onboard XGI Z9s) section.

RAID Utility Installation

The MegaRAID Storage Manager installation is the same as onboard SATA RAID enabled. Please refer to the Windows XP x64 Professional Edition SP2 Installation (with onboard SATA RAID) RAID Utility Installation section.

Network Utility Installation

The Broadcom Advanced Control Suite installation is the same as onboard SATA RAID enabled. Please refer to the Windows XP x64 Professional Edition

SP2 Installation (with onboard SATA RAID) Network Utility Installation section.

Windows XP x64 Professional Edition SP2 Installation (with LSI MegaRAID SAS 8708ELP)

Below information describes how to manually install Windows XP x64 Professional Edition on Altos G330 Mk2 with LSI MegaRAID SAS 8708ELP installed.

Drivers Required

For Windows XP x64 Installation, the following device drivers are required.

Device	Version	Directory on EasyBUILD
LSI MegaRAID SAS 8708ELP	2.17.0.64	\\Disk\\G330Mk2\\sas\\8708elp\\x64\\wsxp
Onboard Intel 3200 Chipset	8.4.0.1017	\\Disk\\g330Mk2\\onboard\\Chipset\\
Onboard Broadcom BCM 5721 Gigabit Ethernet	10.39.0.0	\\Disk\\g330Mk2\\nic\\BCM\\windows\\x64\\wsxp
Onboard XGI Z9s	6.14.10.900	\\Disk\\G330Mk2\\onboard\\vga\\xgiz9s\\x64\\wsxp\\

Software Required

The management utility for LSI MegaRAID SAS 8708ELP and NIC can be found in the EasyBUILD 8.0 build 100 (or later).

Software	Version	Directory on EasyBUILD
MegaRAID Storage Manager	2.30-00	\\app\\G330Mk2\\sas\\8708ELP\\Windows\\
Broadcom Advanced Control Suite	10.5.3.0	\\app\\g330Mk2\\nic\\bacs\\x64\\wsxp\\

Configuring LSI MegaRAID SAS 8708ELP

Please refer to the Appendix B. for the LSI MegaRAID SAS 8708ELP configuration.

Installation Tips

1. As Windows XP x64 can't recognize the LSI MegaRAID SAS 8708ELP, you need to make a driver diskette from the EasyBUILD 8.0 build 100 first before the installation.
2. Press F6 at the beginning of installation for providing the driver diskette for the LSI MegaRAID SAS 8708ELP.
3. Select "LSI Logic MegaRAID SAS RAID Controller Driver (Windows XP-64)" as target driver

-
4. After loading the RAID driver from diskette, follow the normal procedure to finish the installation.

Chipset Driver Package Installation

The chipset driver installation is the same as onboard SATA enabled. Please refer to the Windows XP x64 Professional Edition SP2 Installation (with onboard SATA RAID) Chipset Driver Installation section.

Gigabit Ethernet Driver Installation

The Broadcom BCM5721 driver installation is the same as onboard SATA RAID enabled. Please refer to the Windows XP x64 Professional Edition SP2 Installation (with onboard SATA RAID) Gigabit Ethernet Driver installation section.

VGA Driver Installation (onboard XGI Z9s)

The XGI Z9s driver installation is the same as onboard SATA RAID enabled. Please refer to the Windows XP x64 Professional Edition SP2 Installation (with onboard SATA RAID) VGA Driver Installation (onboard XGI Z9s) section.

RAID Utility Installation

The MegaRAID Storage Manager installation is the same as onboard SATA RAID enabled. Please refer to the Windows XP x64 Professional Edition SP2 Installation (with onboard SATA RAID) RAID Utility Installation section.

Network Utility Installation

The Broadcom Advanced Control Suite installation is the same as onboard SATA RAID enabled. Please refer to the Windows XP x64 Professional Edition SP2 Installation (with onboard SATA RAID) Network Utility Installation section.

Windows XP Professional Edition SP2 Installation (with onboard SATA RAID)

Below information describes how to manually install Windows XP Professional Edition on Altos G330 Mk2 with onboard SATA RAID enabled.

Drivers Required

For Windows XP Installation, the following device drivers are required.

Device	Version	Directory on EasyBUILD
Onboard SATA RAID	9.25.1029.2007	\\Disk\g330Mk2\onboard\sataraid\wsxp
Onboard Intel 3200 Chipset	8.4.0.1017	\\Disk\g330Mk2\onboard\Chipset\
Onboard Broadcom BCM 5721 Gigabit Ethernet	10.39.0.0	\\Disk\g330Mk2\nic\BCM\windows\wsxp
Onboard XGI Z9s	6.14.10.900	\\Disk\G330Mk2\onboard\vga\xgiz9s\ws

		xp\
--	--	-----

Software Required

The management utility for onboard SATA RAID and NIC can be found in the EasyBUILD 8.0 build 100 (or later).

Software	Version	Directory on EasyBUILD
MegaRAID Storage Manager	2.30-00	\app\G330Mk2\sas\sataraid\Windows\
Broadcom Advanced Control Suite	10.5.3.0	\app\g330Mk2\nic\bacslwsxp\

Configuring onboard SATA RAID

Please refer to the Appendix A. for the onboard SATA RAID configuration.

Installation Tips

1. As Windows XP can't recognize the onboard SATA RAID, you need to make a driver diskette from the EasyBUILD 8.0 build 100 first before the installation.
2. Press F6 at the beginning of installation for providing the driver diskette for the onboard SATA RAID.
3. Press F6 at the beginning of installation for providing the driver diskette for the onboard SATA RAID.
4. Select "LSI Logic Embedded MegaRAID (Windows XP/2003)" as target driver
5. After loading the onboard SATA RAID driver from the diskette, follow the normal procedure to finish the installation.

Chipset Driver Installation

1. Please insert the EasyBUILD 8.0 build 100 into the optical drive.
2. Expand **Drivers** -> **Altos G330 Mk2** -> **Chipset** -> **Intel 3200 Chipset**, select **Windows XP** and click on **Setup**.
3. Follow the instruction to install the chipset driver and reboot the server after the driver is installed.

Gigabit Ethernet Driver Installation

1. There is one **Ethernet Controller** listed under **Other device** in Windows Device Manager. It should be the onboard Broadcom BCM5721 Gigabit Ethernet controller. You could find the driver in EasyBUILD 8.0 build 100 (or later).
2. Please insert the EasyBUILD 8.0 build 100 into the optical drive
3. Expand **Drivers** -> **Altos G330 Mk2** -> **Network Adapter** -> **Broadcom**

BCM5721 Gigabit Ethernet Controller, select **Windows XP** and click on **Setup**.

4. Accept the license agreement and follow the instruction to complete the driver installation.
5. After installing the driver, you would see **Broadcom NetXtreme Gigabit Ethernet** listed in Network adapters.

VGA Driver Installation (onboard XGI Z9s)

1. Windows XP cannot recognize the onboard VGA. You can find the XGI Z9s driver in EasyBUILD 8.0 build 100. Please insert the EasyBUILD 8.0 build 100 into the optical drive.
10. Expand **Drivers** -> **Altos G330 Mk2** -> **Graphics adapters** -> **XGI Z9s**, select **Windows XP** and click on **Setup**.
11. Follow the instruction to install the VGA driver.
12. When you see the warning message shows the driver is not passed the Windows Logo testing to verify its compatibility with Windows XP, please select **Continue Anyway**.
13. Please reboot the server after the driver is installed.
14. After the system rebooted, you would see **XGI Z7/Z9/Z9s/Z11 v1.09.03** listed in Display adapters in Device Manager.

RAID Utility Installation

1. For installing MegaRAID Storage Manager for onboard SATA RAID, please insert the EasyBUILD 8.0 build 100 into the optical drive.
2. Expand **Utilities** -> **Altos G330 Mk2** -> **Onboard SATA RAID**, select **MegaRAID Storage Manager (Windows XP)** and click on **Setup**.
3. Follow the instruction, accept the license agreement and use the default setting to the **Setup Type**.
4. At Setup Type, please select **Custom Insatllation** and **StandAlone**.
5. Follow the instruction again to complete the installation.

Network Utility Installation

1. For installing Broadcom Advanced Control Suite for onboard Broadcom BMC5721 Gigabit Ethernet controller, please insert the EasyBUILD 8.0 build 100 into the optical drive.
2. Expand **Utilities** -> **Altos G330 Mk2** -> **Broadcom Gigabit Ethernet Controller**, select **BACS Utility (Windows XP)** and click on **Setup**.
3. Follow the instruction, accept the license agreement and use the default setting to complete the Broadcom Advanced Control Suite installation.

Windows XP Professional Edition SP2 Installation (with LSI MegaRAID SAS 8204ELP)

Below information describes how to manually install Windows XP Professional Edition on Altos G330 Mk2 with MegaRAID SAS 8204ELP installed.

Drivers Required

For Windows XP Installation, the following device drivers are required.

Device	Version	Directory on EasyBUILD
MegaRAID SAS 8204ELP	9.21.0914.2007	\\Disk\G330Mk2\sas\8204elp\wsexp\
Onboard Intel 3200 Chipset	8.4.0.1017	\\Disk\g330Mk2\onboard\Chipset\
Onboard Broadcom BCM 5721 Gigabit Ethernet	10.39.0.0	\\Disk\g330Mk2\nic\BCM\windows\wsexp
Onboard XGI Z9s	6.14.10.900	\\Disk\G330Mk2\onboard\vga\xgiz9s\wsexp\

Software Required

The management utility for MegaRAID SAS 8204ELP and NIC can be found in the EasyBUILD 8.0 build 100 (or later).

Software	Version	Directory on EasyBUILD
MegaRAID Storage Manager	2.30-00	\\app\G330Mk2\sas\8204ELP\Windows\
Broadcom Advanced Control Suite	10.5.3.0	\\app\g330Mk2\nic\bacs\wsexp\

Configuring LSI MegaRAID SAS 8204ELP

Please refer to the Appendix C. for the LSI MegaRAID SAS 8204ELP configuration.

Installation Tips

1. As Windows XP can't recognize the MegaRAID SAS 8204ELP, you need to make a driver diskette from the EasyBUILD 8.0 build 100 first before the installation.
2. Press F6 at the beginning of installation for providing the driver diskette for the onboard SATA RAID.
3. Select "LSI Logic Embedded MegaRAID (Windows XP/2003)" as target driver
4. After loading the SATA RAID driver from the diskette, follow the normal procedure to finish the installation.

Chipset Driver Package Installation

The chipset driver installation is the same as onboard SATA enabled. Please refer to the Windows XP Professional Edition SP2 Installation (with onboard SATA RAID) Chipset Driver Installation section.

Gigabit Ethernet Driver Installation

The Broadcom BCM5721 driver installation is the same as onboard SATA RAID enabled. Please refer to the Windows XP Professional Edition SP2 Installation (with onboard SATA RAID) Gigabit Ethernet Driver installation section.

VGA Driver Installation (onboard XGI Z9s)

The XGI Z9s driver installation is the same as onboard SATA RAID enabled. Please refer to the Windows XP Professional Edition SP2 Installation (with onboard SATA RAID) VGA Driver Installation (onboard XGI Z9s) section.

RAID Utility Installation

The MegaRAID Storage Manager installation is the same as onboard SATA RAID enabled. Please refer to the Windows XP Professional Edition SP2 Installation (with onboard SATA RAID) RAID Utility Installation section.

Network Utility Installation

The Broadcom Advanced Control Suite installation is the same as onboard SATA RAID enabled. Please refer to the Windows XP Professional Edition SP2 Installation (with onboard SATA RAID) Network Utility Installation section.

Windows XP Professional Edition SP2 Installation (with LSI MegaRAID SAS 8708ELP)

Below information describes how to manually install Windows XP Professional Edition on Altos G330 Mk2 with MegaRAID SAS 8708ELP installed.

Drivers Required

For Windows XP Installation, the following device drivers are required.

Device	Version	Directory on EasyBUILD
LSI MegaRAID SAS 8708ELP	2.17.0.32	\\Disk\G330Mk2\sas\8708elp\wsxp
Onboard Intel 3200 Chipset	8.4.0.1017	\\Disk\g330Mk2\onboard\Chipset\
Onboard Broadcom BCM 5721 Gigabit Ethernet	10.39.0.0	\\Disk\g330Mk2\nic\BCM\windows\wsxp
Onboard XGI Z9s	6.14.10.900	\\Disk\G330Mk2\onboard\vga\xgiz9s\wsxp\

Software Required

The management utility for LSI MegaRAID SAS 8708ELP can be found in the

EasyBUILD 8.0 build 100 (or later).

Software	Version	Directory on EasyBUILD
MegaRAID Storage Manager	2.30-00	\app\G330Mk2\sas\8708ELP\Windows\
Broadcom Advanced Control Suite	10.5.3.0	\app\g330Mk2\nic\bacslwsexp\

Configuring LSI MegaRAID SAS 8708ELP

Please refer to the Appendix B. for the LSI MegaRAID SAS 8708ELP configuration.

Installation Tips

1. As Windows XP can't recognize the LSI MegaRAID SAS 8708ELP, you need to make a driver diskette from the EasyBUILD 8.0 build 100 first before the installation.
2. Press F6 at the start of installation to provide the driver disk for the LSI MegaRAID SAS 8708ELP.
3. Select "LSI Logic MegaRAID SAS RAID Controller Driver (Windows XP)" as target driver.
4. After loading the RAID driver from diskette, follow the normal procedure to finish the installation.

Chipset Driver Package Installation

The chipset driver installation is the same as onboard SATA enabled. Please refer to the Windows XP Professional Edition SP2 Installation (with onboard SATA RAID) Chipset Driver Installation section.

Gigabit Ethernet Driver Installation

The Broadcom BCM5721 driver installation is the same as onboard SATA RAID enabled. Please refer to the Windows XP Professional Edition SP2 Installation (with onboard SATA RAID) Gigabit Ethernet Driver installation section.

VGA Driver Installation (onboard XGI Z9s)

The XGI Z9s driver installation is the same as onboard SATA RAID enabled. Please refer to the Windows XP Professional Edition SP2 Installation (with onboard SATA RAID) VGA Driver Installation (onboard XGI Z9s) section.

RAID Utility Installation

The MegaRAID Storage Manager installation is the same as onboard SATA RAID enabled. Please refer to the Windows XP Professional Edition SP2 Installation (with onboard SATA RAID) RAID Utility Installation section.

Network Utility Installation

The Broadcom Advanced Control Suite installation is the same as onboard SATA RAID enabled. Please refer to the Windows XP Professional Edition SP2 Installation (with onboard SATA RAID) Network Utility Installation section.

Red Hat Enterprise Linux 5.0 EM64T Installation (with onboard SATA RAID)

Below information describes how to manually install Red Hat Enterprise Linux 5.0 EM64T on Altos G330 Mk2 with onboard SATA RAID.

Drivers Required

For Red Hat Enterprise Linux 5.0 EM64T installation, the following device drivers are required.

Device	Version	Directory on EasyBUILD
Onboard SATA RAID	09.23.1010.2007	\\Disk\g330Mk2\onboard\vga\xgiz9s\x64\rhel5\
Onboard Intel 3200 Chipset	N/A	OS built-in
Onboard Broadcom BCM 5721 Gigabit Ethernet	3.77D	\\Disk\g330Mk2\nic\BCM\linux
Onboard XGI Z9s	1.12.03	\\Disk\g330Mk2\onboard\vga\xgiz9s\x64\rhel5\

Software Required

The management utility for onboard SATA RAID can be found in the EasyBUILD 8.0 build 100 (or later).

Software	Version	Directory on EasyBUILD
MegaRAID Storage Manager	2.30-00	\\app\G330Mk2\sas\sataraid\Linux\

Configuring onboard SATA RAID

Please refer to the Appendix A. for the onboard SATA RAID configuration.

Installation Tips

1. Since Red Hat Enterprise Linux 5.0 EM64T cannot recognize the onboard SATA RAID, you need to make a driver diskette before the installation.
2. Type **linux dd** when the prompt **boot:** appears at the start.
3. Please select the **fd0** as the **Driver Disk Source**.
4. Follow the instruction to load the driver for onboard SATA RAID from the driver diskette.
5. When you see the tasks for the RHEL5 listed on the screen, please select

Customize now and click on **Next**.

6. Please click on **Development** in the left window, and check **Development Libraries, Development Tools** and **Legacy Software Development** in the right window.
7. After selecting the additional packages, follow the normal procedure to finish the installation.

Gigabit Ethernet Driver Installation

Before you install the Broadcom BCM5721 Gigabit Ethernet Controller, you need to install the kernel develop package first. You can find the package in the Red Hat Enterprise Linux 5 EM64T installation CD #1.

1. Mount the Red Hat Enterprise Linux 5 EM64T installation CD #1.

```
# mount /dev/cdrom /media
```

2. Install the kernel develop package.

```
# cd /media/Server
```

```
# rpm -ivh kernel-devel-2.6.18-8.el5.x86_64.rpm
```

3. Remove the original module tg3

```
# rmmod tg3
```

4. You can find the driver for onboard Broadcom BCM5721 Gigabit Network Controller in EasyBUILD 8.0 build 100. Please refer to Directory on EasyBUILD in Driver Required section and copy the driver from the EasyBUILD 8.0 build 100 to HDD first.

```
# mount /media/cdrom
```

```
# cp /media/cdrom/Disk/g330Mk2/nic/BCM/linux/tg3-3.77d.tar.gz /tmp
```

5. Extract the driver source and install the driver

```
# cd /tmp/
```

```
# tar zxvf tg3-3.77d.tar.gz
```

```
# cd /tmp/tg3-3.77d
```

```
# make install
```

```
# insmod tg3.ko
```

VGA Driver Installation (onboard XGI Z9s)

1. You can find the onboard XGI Z9s VGA driver in EasyBUILD 8.0 build 100. Please refer to Directory on EasyBUILD in Driver Required section and copy the driver from the EasyBUILD 8.0 build 100 to HDD first.

```
# mount /media/cdrom
```

```
# cp /media/cdrom/Disk/g330Mk2/onboard/vga/xgiz9s/x64/
  rhel4ud5/ xgi_xg27_x86_64_xorg7_1_12_03.run /tmp
```

2. Install the driver

```
# cd /tmp/
# ./xgi_xg27_x86_64_xorg7_1_12_03.run
```

3. After you installed the driver, please press “Ctrl + Alt + Backspace” to restart the X server.

RAID Utility Installation

1. You can find the MegaRAID Storage Manager for onboard SATA RAID in EasyBUILD 8.0 build 100. Please refer to Directory on EasyBUILD in Software Required section for the utility and copy it from the EasyBUILD 8.0 build 100 to HDD first.

```
# mount /media/cdrom
# cp -R /media/cdrom/app/G330 Mk2/sas/sataraid/Linux/. /tmp
```

2. Install MegaRAID Storage Manager

```
# cd /tmp/
# ./install.sh
```

3. Type **y** to accept the license agreement and select **3** for StandAlone installation.

4. To start MegaRAID Storage Manager, click on **Applications** and select **System Tools -> MegaRAID Storage Manager StartupUI**.

Red Hat Enterprise Linux 5.0 EM64T Installation (with LSI MegaRAID SAS 8204ELP)

Below information describes how to manually install Red Hat Enterprise Linux 5.0 EM64T on Altos G330 Mk2 with LSI MegaRAID SAS 8204ELP.

Drivers Required

For Red Hat Enterprise Linux 5.0 EM64T Installation, the following device drivers are required.

Device	Version	Directory on EasyBUILD
LSI MegaRAID SAS 8204ELP	9.21.914.2007	\Disk\G330Mk2\sas\8204elp\x64\rh5\
Onboard Intel 3200 Chipset	N/A	OS built-in
Onboard Broadcom BCM 5721 Gigabit Ethernet	3.77D	\Disk\g330Mk2\nic\BCM\linux
Onboard XGI Z9s	1.12.03	\Disk\g330Mk2\onboard\vga\xgiz9s\x6

		4\rhel5\
--	--	----------

Software Required

The management utility for LSI MegaRAID SAS 8204ELP can be found in the EasyBUILD 8.0 build 100 (or later).

Software	Version	Directory on EasyBUILD
MegaRAID Storage Manager	2.30-00	\app\G330Mk2\sas\8204ELP\Linux\

Configuring LSI MegaRAID SAS 8204ELP

Please refer to the Appendix C. for the LSI MegaRAID SAS 8204ELP configuration.

Installation Tips

1. Since Red Hat Enterprise Linux 5.0 EM64T cannot detect the MegaRAID SAS 8204ELP, please make the driver diskette from the EasyBUILD 8.0 build 100 (or later) first before the installation.
2. Type **linux dd** when the prompt **boot:** appears at the start.
3. Please select the **fd0** as the **Driver Disk Source**.
4. Follow the instruction to load the driver for MegaRAID SAS 8204ELP from the driver diskette.
5. When you see the tasks for the RHEL5 listed on the screen, please select **Customize now** and click on **Next**.
6. Please click on **Development** in the left window, and check **Development Libraries, Development Tools** and **Legacy Software Development** in the right window.
7. After selecting the additional packages, follow the normal procedure to finish the installation.

Gigabit Ethernet Driver Installation

The Broadcom BCM5721 driver installation is the same as onboard RAID enabled. Please refer to the Red Hat Enterprise Linux 5.0 EM64T Installation (with onboard) Gigabit Ethernet Driver Installation section.

VGA Driver Installation (onboard XGI Z9s)

The XGI Z9s driver installation is the same as onboard SATA RAID enabled. Please refer to the Red Hat Enterprise Linux 5.0 EM64T Installation (with onboard SATA RAID) XGI Z9s Driver Installation section.

RAID Utility Installation

The MegaRAID Storage Manager installation is the same as onboard SATA RAID enabled. Please refer to the Red Hat Enterprise Linux 5.0 EM64T Installation (with onboard SATA RAID) RAID Utility Installation section.

Red Hat Enterprise Linux 5.0 EM64T Installation (with LSI MegaRAID SAS 8708ELP)

Below information describes how to manually install Red Hat Enterprise Linux 5.0 EM64T on Altos G330 Mk2 with MegaRAID SAS 8708ELP.

Drivers Required

For Red Hat Enterprise Linux 5.0 EM64T Installation, the following device drivers are required.

Device	Version	Directory on EasyBUILD
LSI MegaRAID SAS 8708ELP	00.00.03.13	\\Disk\G330Mk2\sas\8708elp\64\rh5\
Onboard Intel 3200 Chipset	N/A	OS built-in
Onboard Broadcom BCM 5721 Gigabit Ethernet	3.77D	\\Disk\g330Mk2\nic\BCM\linux
Onboard XGI Z9s	1.12.03	\\Disk\g330Mk2\onboard\vga\xgiz9s\64\rhel5\

Software Required

The management utility for MegaRAID SAS 8708ELP can be found in the EasyBUILD 8.0 build 100 (or later).

Software	Version	Directory on EasyBUILD
MegaRAID Storage Manager	2.30-00	\\app\G330Mk2\sas\8708ELP\Linux\

Configuring LSI MegaRAID SAS 8708ELP

Please refer to the Appendix B. for the LSI MegaRAID SAS 8708ELP configuration.

Installation Tips

1. Through Red Hat Enterprise Linux 5.0 EM64T can detect the MegaRAID SAS 8708ELP, we recommend to use the driver in the EasyBUILD 8.0 build 100 (or later). Please make the driver diskette from the EasyBUILD 8.0 build 100 (or later) first before the installation.
2. Type **linux dd** when the prompt **boot:** appears at the start.
3. Please select the **fd0** as the **Driver Disk Source**.
4. Follow the instruction to load the driver for MegaRAID SAS 8708ELP from the driver diskette.
5. When you see the tasks for the RHEL5 listed on the screen, please select **Customize now** and click on **Next**.
6. Please click on **Development** in the left window, and check **Development**

Libraries, Development Tools and Legacy Software Development in the right window.

7. After selecting the additional packages, follow the normal procedure to finish the installation.

Gigabit Ethernet Driver Installation

Before you install the Broadcom BCM5721 Gigabit Ethernet Controller, you need to install the kernel develop package first. You can find the package in the Red Hat Enterprise Linux 5 EM64T installation CD #1. There are different kernel develop package for different kernels. It depends on which kernel you using.

1. Mount the Red Hat Enterprise Linux 5 EM64T installation CD #1.

```
# mount /dev/cdrom /media
```

2. According to you kernel to install kernel develop package.

```
# cd /media/Server
```

```
# rpm -ivh kernel-devel-2.6.18-8.el5.x86_64.rpm (for normal  
kerne)
```

Or

```
# rpm -ivh kernel-xen-devel-2.6.18-8.el5.x86_64.rpm (for xen  
kernel)
```

3. Follow the step 3 to 5 in Gigabit Ethernet Driver Installation section of Red Hat Enterprise Linux 5.0 EM64T Installation (with onboard) to complete the installation.

VGA Driver Installation (onboard XGI Z9s)

The XGI Z9s driver installation is the same as onboard SATA RAID enabled. Please refer to the Red Hat Enterprise Linux 5.0 EM64T Installation (with onboard SATA RAID) XGI Z9s Driver Installation section.

RAID Utility Installation

The MegaRAID Storage Manager installation is the same as onboard SATA RAID enabled. Please refer to the Red Hat Enterprise Linux 5.0 EM64T Installation (with onboard SATA RAID) RAID Utility Installation section.

Red Hat Enterprise Linux 5.0 Installation (with onboard SATA RAID)

Below information describes how to manually install Red Hat Enterprise Linux 5.0 on Altos G330 Mk2 with onboard SATA RAID.

Drivers Required

For Red Hat Enterprise Linux 5.0 Installation, the following device drivers are

required.

Device	Version	Directory on EasyBUILD
Onboard SATA RAID	09.23.1010.2007	\\Disk\g330Mk2\onboard\sataraid\rhel5
Onboard Intel 3200 Chipset	N/A	OS built-in
Onboard Broadcom BCM 5721 Gigabit Ethernet	3.77D	\\Disk\g330Mk2\nic\BCM\linux
Onboard XGI Z9s	1.12.03	\\Disk\g330Mk2\onboard\vga\xgiz9s\rhel5\

Software Required

The management utility for onboard SATA RAID can be found in the EasyBUILD 8.0 build 100 (or later).

Software	Version	Directory on EasyBUILD
MegaRAID Storage Manager	2.30-00	\\app\G330Mk2\sas\sataraid\Linux\

Configuring onboard SATA RAID

Please refer to the Appendix A. for the onboard SATA RAID configuration.

Installation Tips

1. Since Red Hat Enterprise Linux 5.0 cannot recognize the onboard SATA RAID, you need to make a driver diskette from the EasyBUILD 8.0 build 100 (or later) first before the installation.
2. Type **linux dd** when the prompt **boot:** appears at the start.
3. Please select the **fd0** as the **Driver Disk Source**.
4. Follow the instruction to load the onboard SATA RAID driver from the driver diskette.
5. When you see the tasks for the RHEL5 listed on the screen, please select **Customize now** and click on **Next**.
6. Please click on **Development** in the left window, and check **Development Libraries, Development Tools** and **Legacy Software Development** in the right window.
7. After selecting the additional packages, follow the normal procedure to finish the installation.

Gigabit Ethernet Driver Installation

Before you install the Broadcom BCM5721 Gigabit Ethernet Controller, you need to install the kernel develop package first. You can find the package in the Red Hat Enterprise Linux 5 installation CD #1. There are different kernel

develop package for different kernels. It is dependent on which kernel you using.

1. Mount the Red Hat Enterprise Linux 5 installation CD #1.

```
# mount /dev/cdrom /media
```

2. According to you kernel to install kernel develop package.

```
# cd /media/Server
```

```
# rpm -ivh kernel-devel-2.6.18-8.el5.i686.rpm (for normal kerne)
```

Or

```
# rpm -ivh kernel-PAE-devel-2.6.18-8.el5.i686.rpm (for PAE kernel)
```

3. Remove the original module tg3

```
# rmmod tg3
```

4. You can find the driver for onboard Broadcom BCM5721 Gigabit Network Controller in EasyBUILD 8.0 build 100. Please refer to Directory on EasyBUILD in Driver Required section and copy the driver from the EasyBUILD 8.0 build 100 to HDD first.

```
# mount /media/cdrom
```

```
# cp /media/cdrom/Disk/g330Mk2/nic/BCM/linux/tg3-3.77d.tar.gz /tmp
```

5. Extract the driver source and install the driver

```
# cd /tmp/
```

```
# tar zxvf tg3-3.77d.tar.gz
```

```
# cd /tmp/tg3-3.77d
```

```
# make install
```

```
# insmod tg3.ko
```

VGA Driver Installation (onboard XGI Z9s)

1. You can find the onboard XGI Z9s VGA driver in EasyBUILD 8.0 build 100. Please refer to Directory on EasyBUILD in Driver Required section and copy the driver from the EasyBUILD 8.0 build 100 to HDD first.

```
# mount /media/cdrom
```

```
# cp /media/cdrom/Disk/g330Mk2/onboard/vga/xgiz9s/rhel5/xgi_xg27_x86_xorg7_1_12_03.run /tmp
```

2. Install the driver

```
# cd /tmp/
```

```
# ./xgi_xg27_x86_xorg7_1_12_03.run
```

3. After you installed the driver, please press “Ctrl + Alt + Backspace” to restart the X server.

RAID Utility Installation

1. You can find the MegaRAID Storage Manager for onboard SATA RAID in EasyBUILD 8.0 build 100. Please refer to Directory on EasyBUILD in Software Required section for the utility and copy it from the EasyBUILD 8.0 build 100 to HDD first.

```
# mount /media/cdrom
```

```
# cp -R /media/cdrom/app/G330Mk2/sas/sataraid/Linux/. /tmp
```

2. Install MegaRAID Storage Manager

```
# cd /tmp/
```

```
# ./install.sh
```

3. Type **y** to accept the license agreement and select **3** for StandAlone installation.
4. To start MegaRAID Storage Manager, click on **Applications** and select **System Tools -> MegaRAID Storage Manager StartupUI**.

Red Hat Enterprise Linux 5.0 Installation (with LSI MegaRAID SAS 8204ELP)

Below information describes how to manually install Red Hat Enterprise Linux 5.0 on Altos G330 Mk2 with LSI MegaRAID SAS 8204ELP.

Drivers Required

For Red Hat Enterprise Linux 5.0 Installation, the following device drivers are required.

Device	Version	Directory on EasyBUILD
LSI MegaRAID SAS 8204ELP	9.21.914.2007	\\Disk\G330Mk2\sas\8204elp\rh5\
Onboard Intel 3200 Chipset	N/A	OS built-in
Onboard Broadcom BCM 5721 Gigabit Ethernet	3.77D	\\Disk\g330Mk2\nic\BCM\linux
Onboard XGI Z9s	1.12.03	\\Disk\g330Mk2\onboard\vga\xgiz9s\rhel5\

Software Required

The management utility for LSI MegaRAID SAS 8204ELP can be found in the EasyBUILD 8.0 build 100 (or later).

Software	Version	Directory on EasyBUILD
MegaRAID Storage Manager	2.30-00	\app\G330Mk2\sas\8204ELP\Linux\

Configuring LSI MegaRAID SAS 8204ELP

Please refer to the Appendix C. for the LSI MegaRAID SAS 8204ELP configuration.

Installation Tips

1. Since Red Hat Enterprise Linux 5.0 cannot recognize the MegaRAID SAS 8204ELP, you need to make a driver diskette from the EasyBUILD 8.0 build 100 (or later) first before the installation.
2. Type **linux dd** when the prompt **boot:** appears at the start.
3. Please select the **fd0** as the **Driver Disk Source**.
4. Follow the instruction to load the driver for MegaRAID SAS 8204ELP from the driver diskette.
5. When you see the tasks for the RHEL5 listed on the screen, please select **Customize now** and click on **Next**.
6. Please click on **Development** in the left window, and check **Development Libraries, Development Tools** and **Legacy Software Development** in the right window.
7. After selecting the additional packages, follow the normal procedure to finish the installation.

Gigabit Ethernet Driver Installation

The Broadcom BCM5721 driver installation is the same as onboard RAID enabled. Please refer to the Red Hat Enterprise Linux 5.0 Installation (with onboard) Gigabit Ethernet Driver Installation section.

VGA Driver Installation (onboard XGI Z9s)

The XGI Z9s driver installation is the same as onboard SATA RAID enabled. Please refer to the Red Hat Enterprise Linux 5.0 Installation (with onboard SATA RAID) XGI Z9s Driver Installation section.

RAID Utility Installation

The MegaRAID Storage Manager installation is the same as onboard SATA RAID enabled. Please refer to the Red Hat Enterprise Linux 5.0 Installation (with onboard SATA RAID) RAID Utility Installation section.

Red Hat Enterprise Linux 5.0 Installation (with LSI MegaRAID SAS 8708ELP)

Below information describes how to manually install Red Hat Enterprise Linux

5.0 on Altos G330 Mk2 with MegaRAID SAS 8708ELP.

Drivers Required

For Red Hat Enterprise Linux 5.0 Installation, the following device drivers are required.

Device	Version	Directory on EasyBUILD
LSI MegaRAID SAS 8708ELP	00.00.03.13	\Disk\G330Mk2\sas\8708elp\rh5\
Onboard Intel 3200 Chipset	N/A	OS built-in
Onboard Broadcom BCM 5721 Gigabit Ethernet	3.77D	\Disk\g330Mk2\nic\BCM\linux
Onboard XGI Z9s	1.12.03	\Disk\g330Mk2\onboard\vga\xgiz9s\rhel5\

Software Required

The management utility for MegaRAID SAS 8708ELP can be found in the EasyBUILD 8.0 build 100 (or later).

Software	Version	Directory on EasyBUILD
MegaRAID Storage Manager	2.30-00	\app\G330Mk2\sas\8708ELP\Linux\

Configuring LSI MegaRAID SAS 8708ELP

Please refer to the Appendix B. for the LSI MegaRAID SAS 8708ELP configuration.

Installation Tips

1. Through Red Hat Enterprise Linux 5.0 can detect the MegaRAID SAS 8708ELP, we recommend to use the driver in the EasyBUILD 8.0 build 100 (or later). Please make the driver distette from the EasyBUILD 8.0 build 100 (or later) first before the installation.
2. Type **linux dd** when the prompt **boot:** appears at the start.
3. Please select the **fd0** as the **Driver Disk Source**.
4. Follow the instruction to load the driver for MegaRAID SAS 8708ELP from the driver diskette.
5. When you see the tasks for the RHEL5 listed on the screen, please select **Customize now** and click on **Next**.
6. Please click on **Development** in the left window, and check **Development Libraries, Development Tools** and **Legacy Software Development** in the right window.
7. After selecting the additional packages, follow the normal procedure to

finish the installation.

Gigabit Ethernet Driver Installation

The Broadcom BCM5721 driver installation is the same as onboard RAID enabled. Please refer to the Red Hat Enterprise Linux 5.0 Installation (with onboard) Gigabit Ethernet Driver Installation section.

VGA Driver Installation (onboard XGI Z9s)

The XGI Z9s driver installation is the same as onboard SATA RAID enabled. Please refer to the Red Hat Enterprise Linux 5.0 Installation (with onboard SATA RAID) XGI Z9s Driver Installation section.

RAID Utility Installation

The MegaRAID Storage Manager installation is the same as onboard SATA RAID enabled. Please refer to the Red Hat Enterprise Linux 5.0 Installation (with onboard SATA RAID) RAID Utility Installation section.

SUSE Linux Enterprise Server 10 EM64T SP1 Installation (with onboard SATA RAID)

Below information describes how to manually install SUSE Linux Enterprise Server 10 EM64T SP1 on Altos G330 Mk2 with onboard SATA RAID

Drivers Required

For SUSE Linux Enterprise Server 10 EM64T SP1 Installation, the following device drivers are required.

Device	Version	Directory on EasyBUILD
Onboard SATA RAID	09.23.1010.2007	\Disk\g330Mk2\onboard\sataraid\x64\sl es10
Onboard Intel 3200 Chipset	N/A	OS built-in
Onboard Broadcom BCM 5721 Gigabit Ethernet	3.77D	\Disk\g330Mk2\nic\BCM\linux
Onboard XGI Z9s	1.12.03	\Disk\g330Mk2\onboard\vga\xgiz9s\x6 4\sls10\

Software Required

The management utility of onboard SATA RAID can be found in the EasyBUILD 8.0 build 100 (or later).

Software	Version	Directory on EasyBUILD
MegaRAID Storage Manager	2.30-00	\app\g330Mk2\sas\sataraid\Linux

Configuring onboard SATA RAID

Please refer to the Appendix A. for the onboard SATA RAID configuration.

Installation Tips

1. Since SUSE Linux Enterprise Server 10 EM64T SP1 cannot recognize the onboard SATA RAID, you need to make a driver diskette from the EasyBUILD 8.0 build 100 first before the installation.
2. Boot the system from SUSE Linux Enterprise Server 10 EM64T Disk1 bootable CD.
3. When you see the boot menu on the screen, press F5 and select **Yes** for loading driver disk during installation
4. Please add "brokenmodules=ahci" to Boot Options.
5. Press Enter to continue the installation.
6. Insert the driver disk to the floppy, select **fd0: Floppy** and **OK** to load the onboard SATA RAID driver from the driver diskette.
7. After loading the driver, select **OK** and **Back** to return to the installation.
8. At **Installation Setting**, select the **Software**.
9. Check **C/C++ Compiler and Tools** under **Development** to add C/C++ compiler tools.
10. Click on Accept and continue the installation.
11. Follow the instruction to complete the installation.

Gigabit Ethernet Driver Installation

1. Remove the original module tg3
2. You can find the driver for onboard Broadcom BCM5721 Gigabit Network Controller in EasyBUILD 8.0 build 100. Please refer to Directory on EasyBUILD in Driver Required section and copy the driver from the EasyBUILD 8.0 build 100 to HDD first.

```
# rmmod tg3
```

```
# cp /media/EBV80B100/Disk/g330Mk2/nic/BCM/linux/tg3-3.77d.tar.gz /tmp
```

3. Extract the driver source and install the driver

```
# cd /tmp/
```

```
# tar zxvf tg3-3.77d.tar.gz
```

```
# cd /tmp/tg3-3.77d
```

```
# make install
```

```
# insmod tg3.ko
```

VGA Driver Installation (onboard XGI Z9s)

1. You can find the onboard XGI Z9s VGA driver in EasyBUILD 8.0 build 100.

Please refer to Directory on EasyBUILD in Driver Required section and copy the driver from the EasyBUILD 8.0 build 100 to HDD first.

```
# cp /media/EBV80B100/Disk/g330Mk2/onboard/vga/xgiz9s/x64  
/sles10/xgi_xg27_x86_64_xorg7_1_12_03.run /tmp
```

2. Install the driver

```
# cd /tmp/  
  
# ./xgi_xg27_x86_64_xorg7_1_12_03.run
```

3. After you installed the driver, please press “Ctrl + Alt + Backspace” to restart the X server.

RAID Utility Installation

1. You can find the MegaRAID Storage Manager for onboard SATA RAID in EasyBUILD 8.0 build 100. Please refer to Directory on EasyBUILD in Software Required section for the utility and copy it from the EasyBUILD 8.0 build 100 to HDD first.

```
# cp -R /media/EBV80B100/app/g330Mk2/sas/sataraid/Linux/. /tmp
```

2. Install MegaRAID Storage Manager

```
# cd /tmp/  
  
# ./install.sh
```

3. Type **y** to accept the license agreement and select **3** for StandAlone installation.

4. To start MegaRAID Storage Manager, click on **Computer -> More Applications -> MegaRAID Storage Manager StartupUI**.

SUSE Linux Enterprise Server 10 EM64T SP1 Installation (with LSI MegaRAID SAS 8204ELP)

Below information describes how to manually install SUSE Linux Enterprise Server 10 EM64T SP1 on Altos G330 Mk2 with LSI MegaRAID SAS 8204ELP.

Drivers Required

For SUSE Linux Enterprise Server 10 EM64T SP1 Installation, the following device drivers are required.

Device	Version	Directory on EasyBUILD
LSI MegaRAID SAS 8204ELP	09.21.0914.2007	\Disk\G330Mk2\sas\8204elp\x64\sles10\
Onboard Intel 3200 Chipset	N/A	OS built-in
Onboard Broadcom BCM 5721 Gigabit Ethernet	3.77D	\Disk\g330Mk2\nic\BCMlinux

Onboard XGI Z9s	1.12.03	\Disk\g330Mk2\onboard\vga\xgiz9s\x64\sles10\
-----------------	---------	--

Software Required

The management utility of LSI MegaRAID SAS 8204ELP can be found in the EasyBUILD 8.0 build 100 (or later).

Software	Version	Directory on EasyBUILD
MegaRAID Storage Manager	2.30-00	\app\g330Mk2\sas\8204ELP\Linux\

Configuring LSI MegaRAID SAS 8204ELP

Please refer to the Appendix C. for the LSI MegaRAID SAS 8204ELP configuration.

Installation Tips

1. Since SUSE Linux Enterprise Server 10 EM64T SP1 cannot recognize the LSI MegaRAID SAS 8204ELP, you need to make a driver diskette from the EasyBUILD 8.0 build 100 first before the installation.
2. Boot the system from SUSE Linux Enterprise Server 10 EM64T SP1 bootable CD.
3. When you see the boot menu on the screen, press F5 and select **Yes**.
4. Press Enter to continue the installation.
5. Insert the driver disk to the floppy, select **fd0: Floppy** and **OK** to load the LSI MegaRAID SAS 8204ELP driver from the driver diskette.
6. After loading the driver, select **OK** and **Back** to return to the installation.
7. At **Installation Setting**, select the **Software**.
8. Check **C/C++ Compiler and Tools** under **Development** to add C/C++ compiler tools.
9. Click on Accept and continue the installation.
10. Follow the instruction to complete the installation.

Gigabit Ethernet Driver Installation

The Broadcom BCM5721 Ethernet driver installation is the same as onboard SATA RAID enabled. Please refer to the SUSE Linux Enterprise Server 10 EM64T SP1 Installation (with onboard SATA RAID) Gigabit Ethernet Driver Installation section.

VGA Driver Installation (onboard XGI Z9s)

The onboard XGI Z9s driver installation is the same as onboard SATA RAID enabled. Please refer to the SUSE Linux Enterprise Server 10 EM64T SP1 Installation (with onboard SATA RAID) VGA Driver Installation (onboard XGI

Z9s) section.

RAID Utility Installation

The MegaRAID Storage Manager installation for LSI MegaRAID SAS 8204ELP is the same as onboard SATA RAID enabled. Please refer to the SUSE Linux Enterprise Server 10 EM64T SP1 Installation (with onboard SATA RAID) RAID Utility Installation section.

SUSE Linux Enterprise Server 10 EM64T SP1 Installation (with LSI MegaRAID SAS 8708ELP)

Below information describes how to manually install SUSE Linux Enterprise Server 10 EM64T SP1 on Altos G330 Mk2 with LSI MegaRAID SAS 8708ELP

Drivers Required

For SUSE Linux Enterprise Server 10 EM64T SP1 Installation, the following device drivers are required.

Device	Version	Directory on EasyBUILD
LSI MegaRAID SAS 8708ELP	00.00.03.16	\\Disk\g330Mk2\sas\8708elp\x64\sles10
Onboard Intel 3200 Chipset	N/A	OS built-in
Onboard Broadcom BCM 5721 Gigabit Ethernet	3.77D	\\Disk\g330Mk2\nic\BCM\linux
Onboard XGI Z9s	1.12.03	\\Disk\g330Mk2\onboard\vga\xgiz9s\x64\sles10\

Software Required

The management utility of LSI MegaRAID SAS 8708ELP can be found in the EasyBUILD 8.0 build 100 (or later).

Software	Version	Directory on EasyBUILD
MegaRAID Storage Manager	2.30-00	\\app\g330Mk2\sas\8708ELP\Linux\

Configuring LSI MegaRAID SAS 8708ELP

Please refer to the Appendix B. for the LSI MegaRAID SAS 8708ELP configuration.

Installation Tips

1. Though SUSE Linux Enterprise Server 10 EM64T SP1 can recognize the LSI MegaRAID SAS 8708ELP, please still make the driver diskette from the EasyBUILD 8.0 build 100 first before the installation.
2. Boot the system from SUSE Linux Enterprise Server 10 EM64T Disk1 bootable CD.

3. When you see the boot menu on the screen, press F5 and select **Yes**.
4. Press Enter to continue the installation.
5. Insert the driver disk to the floppy, select **fd0: Floppy** and **OK** to load the LSI MegaRAID SAS 8708ELP driver from the driver diskette.
6. After loading the driver, select **OK** and **Back** to return to the installation.
7. At **Installation Setting**, select the **Software**.
8. Check **C/C++ Compiler and Tools** under **Development** to add C/C++ compiler tools.
9. Click on Accept and continue the installation.
10. Follow the instruction to complete the installation.

Gigabit Ethernet Driver Installation

The Broadcom BCM5721 Ethernet driver installation is the same as onboard SATA RAID enabled. Please refer to the SUSE Linux Enterprise Server 10 EM64T SP1 Installation (with onboard SATA RAID) Gigabit Ethernet Driver Installation section.

VGA Driver Installation (onboard XGI Z9s)

The onboard XGI Z9s driver installation is the same as onboard SATA RAID enabled. Please refer to the SUSE Linux Enterprise Server 10 EM64T SP1 Installation (with onboard SATA RAID) VGA Driver Installation (onboard XGI Z9s) section.

RAID Utility Installation

The MegaRAID Storage Manager installation for LSI MegaRAID SAS 8204ELP is the same as onboard SATA RAID enabled. Please refer to the SUSE Linux Enterprise Server 10 EM64T SP1 Installation (with onboard SATA RAID) RAID Utility Installation section.

SUSE Linux Enterprise Server 10 SP1 Installation (with onboard SATA RAID)

Below information describes how to manually install SUSE Linux Enterprise Server 10 SP1 on Altos G330 Mk2 with onboard SATA RAID.

Drivers Required

For SUSE Linux Enterprise Server 10 SP1 Installation, the following device drivers are required.

Device	Version	Directory on EasyBUILD
Onboard SATA RAID	09.23.1010.2007	\Disk\g330Mk2\onboard\sataraid\sles10
Onboard Intel 3200 Chipset	N/A	OS built-in

Onboard Broadcom BCM 5721 Gigabit Ethernet	3.77D	\Disk\g330Mk2\nic\BCM\linux
Onboard XGI Z9s	1.12.03	\Disk\g330Mk2\onboard\vga\xgiz9s\sles10\

Software Required

The management utility for onboard SATA RAID can be found in the EasyBUILD 8.0 build 100 (or later).

Software	Version	Directory on EasyBUILD
MegaRAID Storage Manager	2.30-00	\app\g330Mk2\sas\sataraid\Linux

Configuring onboard SATA RAID

Please refer to the Appendix A. for the onboard SATA RAID configuration.

Installation Tips

1. Since SUSE Linux Enterprise Server 10 SP1 cannot recognize the onboard SATA RAID, you need to make a driver diskette from the EasyBUILD 8.0 build 100 first before the installation.
2. Boot the system from SUSE Linux Enterprise Server 10 SP1 bootable CD.
3. When you see the boot menu on the screen, press F5 and select **Yes** for loading driver disk during installation.
4. Please add "brokenmodules=ahci" to Boot Options.
5. Press Enter to continue the installation.
6. Insert the driver disk to the floppy, select **fd0: Floppy** and **OK** to load the onboard SATA RAID driver from the driver diskette.
7. After loading the driver, select **OK** and **Back** to return to the installation.
8. At **Installation Setting**, select the **Software**.
9. Check **C/C++ Compiler and Tools** under **Development** to add C/C++ compiler tools.
10. Click on Accept and continue the installation.
11. Follow the instruction to complete the installation.

Gigabit Ethernet Driver Installation

1. Remove the original module tg3


```
# rmmmod tg3
```
2. You can find the driver for onboard Broadcom BCM5721 Gigabit Network Controller in EasyBUILD 8.0 build 100. Please refer to Directory on EasyBUILD in Driver Required section and copy the driver from the

EasyBUILD 8.0 build 100 to HDD first.

```
# cp /media/EBV80B100/Disk/g330Mk2/nic/BCM/linux/tg3-3.77d.tar.gz /tmp
```

3. Extract the driver source and install the driver

```
# cd /tmp/  
  
# tar zxvf tg3-3.77d.tar.gz  
  
# cd /tmp/tg3-3.77d  
  
# make install  
  
# insmod tg3.ko
```

VGA Driver Installation (onboard XGI Z9s)

1. You can find the onboard XGI Z9s VGA driver in EasyBUILD 8.0 build 100. Please refer to Directory on EasyBUILD in Driver Required section and copy the driver from the EasyBUILD 8.0 build 100 to HDD first.

```
# cp /media/EBV80B100/Disk/g330Mk2/onboard/vga/xgiz9s/sles10/xgi_xg27_x86_xorg7_1_12_03.run /tmp
```

2. Install the driver

```
# cd /tmp/  
  
# ./xgi_xg27_x86_xorg7_1_12_03.run
```

3. After you installed the driver, please press "Ctrl + Alt + Backspace" to restart the X server.

RAID Utility Installation

1. You can find the MegaRAID Storage Manager for onboard SATA RAID in EasyBUILD 8.0 build 100. Please refer to Directory on EasyBUILD in Software Required section for the utility and copy it from the EasyBUILD 8.0 build 100 to HDD first.

```
# cp -R /media/EBV80B100/app/g330Mk2/sas/sataraid/Linux/. /tmp
```

2. Install MegaRAID Storage Manager

```
# cd /tmp/  
  
# ./install.sh
```

3. Type **y** to accept the license agreement and select **3** for StandAlone installation.
4. To start MegaRAID Storage Manager, click on **Computer -> More Applications -> MegaRAID Storage Manager StartupUI**.

SUSE Linux Enterprise Server 10SP 1 Installation (with LSI MegaRAID SAS 8204ELP)

Below information describes how to manually install SUSE Linux Enterprise Server 10 SP1 on Altos G330 Mk2 with LSI MegaRAID SAS 8204ELP.

Drivers Required

For SUSE Linux Enterprise Server 10 SP1 Installation, the following device drivers are required.

Device	Version	Directory on EasyBUILD
LSI MegaRAID SAS 8204ELP	09.21.0914.2007	\Disk\G330Mk2\sas\8204elp\sles10\
Onboard Intel 3200 Chipset	N/A	OS built-in
Onboard Broadcom BCM 5721 Gigabit Ethernet	3.77D	\Disk\g330Mk2\nic\BCM\linux
Onboard XGI Z9s	1.12.03	\Disk\g330Mk2\onboard\vga\xgiz9s\sles10\

Software Required

The management utility of LSI MegaRAID SAS 8204ELP can be found in the EasyBUILD 8.0 build 100 (or later).

Software	Version	Directory on EasyBUILD
MegaRAID Storage Manager	2.30-00	\app\g330Mk2\sas\8204ELP\Linux\

Configuring LSI MegaRAID SAS 8204ELP

Please refer to the Appendix C. for the LSI MegaRAID SAS 8204ELP configuration.

Installation Tips

1. Since SUSE Linux Enterprise Server 10 SP1 cannot recognize the LSI MegaRAID SAS 8204ELP, you need to make a driver diskette from the EasyBUILD 8.0 build 100 first before the installation.
2. Boot the system from SUSE Linux Enterprise Server 10 SP1 bootable CD.
3. When you see the boot menu on the screen, press F5 and select **Yes**.
4. Press Enter to continue the installation.
5. Insert the driver disk to the floppy, select **fd0: Floppy** and **OK** to load the LSI MegaRAID SAS 8204ELP driver from the driver diskette.
6. After loading the driver, select **OK** and **Back** to return to the installation.
7. At **Installation Setting**, select the **Software**.
8. Check **C/C++ Compiler and Tools** under **Development** to add C/C++

compiler tools.

9. Click on Accept and continue the installation.
10. Follow the instruction to complete the installation.

Gigabit Ethernet Driver Installation

The Broadcom BCM5721 driver installation is the same as onboard SATA RAID enabled. Please refer to the SuSE Linux Enterprise Linux 10 SP1 Installation (with onboard SATA RAID) Gigabit Ethernet Driver Installation section.

VGA Driver Installation (onboard XGI Z9s)

The onboard XGI Z9s driver installation is the same as onboard SATA RAID enabled. Please refer to the SUSE Linux Enterprise Server 10 SP1 Installation (with onboard SATA RAID) VGA Driver Installation (onboard XGI Z9s) section.

MeagRAID Storage Manager Installation

The MegaRAID Storage Manager installation is the same as onboard SATA RAID enabled. Please refer to the SuSE Linux Enterprise Linux 10 SP1 Installation (with onboard SATA RAID) MegaRAID Storage Manager Installation section.

SUSE Linux Enterprise Server 10 SP1 Installation (with LSI MegaRAID SAS 8708ELP)

Below information describes how to manually install SUSE Linux Enterprise Server 10 SP1 on Altos G330 Mk2 with LSI MegaRAID SAS 8708ELP installed.

Drivers Required

For SUSE Linux Enterprise Server 10 SP1 Installation, the following device drivers are required.

Device	Version	Directory on EasyBUILD
LSI MegaRAID SAS 8708ELP	00.00.03.16	\Disk\g330Mk2\sas\8708elp\sles10
Onboard Intel 3200 Chipset	N/A	OS built-in
Onboard Broadcom BCM 5721 Gigabit Ethernet	3.77D	\Disk\g330Mk2\nic\BCM\linux
Onboard XGI Z9s	1.12.03	\Disk\g330Mk2\onboard\vga\xgiz9s\sles10\

Software Required

The management utility for MegaRAID SAS 8708ELP can be found in the EasyBUILD 8.0 build 100 (or later).

Software	Version	Directory on EasyBUILD
MegaRAID Storage	2.30-00	\app\g330Mk2\sas\8708ELP\Linux\

Manager		
---------	--	--

Configuring LSI MegaRAID SAS 8708ELP

Please refer to the Appendix B. for the LSI MegaRAID SAS 8708ELP configuration.

Installation Tips

1. Since SUSE Linux Enterprise Server 10 cannot recognize the LSI MegaRAID SAS 8708ELP, you need to make a driver diskette from the EasyBUILD 8.0 build 100 first before the installation.
2. Boot the system from SUSE Linux Enterprise Server 10 disk1 bootable CD.
3. When you see the boot menu on the screen, press F5 and select **Yes**.
4. Press Enter to continue the installation.
5. Insert the driver disk to the floppy, select **fd0: Floppy** and **OK** to load the onboard SATA RAID driver from the driver diskette.
6. After loading the driver, select **OK** and **Back** to return to the installation.
7. At **Installation Setting**, select the **Software**.
8. Check **C/C++ Compiler and Tools** under **Development** to add C/C++ compiler tools.
9. Click on Accept and continue the installation.
10. Follow the instruction to complete the installation.

Gigabit Ethernet Driver Installation

The Broadcom BCM5721 driver installation is the same as onboard SATA RAID enabled. Please refer to the SuSE Linux Enterprise Linux 10 SP1 Installation (with onboard SATA RAID) Gigabit Ethernet Driver Installation section.

VGA Driver Installation (onboard XGI Z9s)

The onboard XGI Z9s driver installation is the same as onboard SATA RAID enabled. Please refer to the SUSE Linux Enterprise Server 10 SP1 Installation (with onboard SATA RAID) VGA Driver Installation (onboard XGI Z9s) section.

MegaRAID Storage Manager Installation

The MegaRAID Storage Manager installation is the same as onboard SATA RAID enabled. Please refer to the SuSE Linux Enterprise Linux 10 SP1 Installation (with onboard SATA RAID) MegaRAID Storage Manager Installation section.

NetWare 6.5 Support Pack 7 Installation (with LSI MegaRAID SAS8708ELP)

Below information describes how to manually install NetWare 6.5 (Support

Pack 7 overlay DVD) on Altos G330 Mk2 with LSI MegaRAID SAS 8708ELP.

Drivers Required

For NetWare 6.5 SP7 Installation, the following device drivers are required.

Device	Version	Directory on Resource CD
LSI MegaRAID SAS 8708ELP	1.04.04	\\Disk\g330Mk2\sas\8708elp\nw
Onboard Intel 3200 Chipset	N/A	No driver
Onboard Broadcom BCM 5721 Gigabit Ethernet	10.41	\\Disk\g330Mk2\nic\BCM\nm
Onboard XGI Z9s	N/A	OS built-in

Configuring LSI MegaRAID SAS 8708ELP

Please refer to the Appendix B. for the LSI MegaRAID SAS 8708ELP configuration.

Installation Tips

1. Make the driver disks for LSI MegaRAID SAS8708ELP and Broadcom BCM5721 Gigabit Ethernet from EasyBUILD 8.0 build100 (or later).
2. Boot the system from the NetWare 6.5 SP7 DVD.
3. At **Welcome to the NetWare 6.5 server installation** page, select **Manual** to install.
4. At **Prepare boot partition** page, create one 500 MB DOS partition.
5. When you see the following message, please select **Modify**. Move the cursor to **Storage adapters** and press **Enter** to replace the driver for LSI MegaRAID SAS 8708ELP.

The following device drivers were detected for this server. Add, change, or delete device drivers as needed.

```
Device types                Driver names
-----
HotPlug Support Module:    (optional)
Storage adapters:      IDEATA IDEATA MEGA_SAS
```

6. After you pressing the Enter, you would see the storage adapter detected by NetWare 6.5 SP7.

Add, edit, or delete storage drivers. Each controller/adaptor requires a driver.

```
Driver name    Device Name                Stat
```

```

-----
IDEATA.HAM      Standard IDE/ATA/ATAPI/SATA Adapter
IDEATA.HAM      Standard IDE/ATA/ATAPI/SATA Adapter
MEGA_SAS.HAM    LSI MegaRAID SAS Adapter

```

7. Please move cursor on **MEGA_SAS.HAM LSI MegaRAID SAS Adapter** and press **DELETE**.
8. Please press **INSERT** key twice, insert the driver diskette for LSI MegaRAID SAS 8708ELP into floppy and press Enter. It will add the driver for LSI MegaRAID 8708ELP from the diskette.

Add, edit, or delete storage drivers. Each controller/adaptor requires a driver.

```

Driver name      Device Name      Stat
-----
IDEATA.HAM      Standard IDE/ATA/ATAPI/SATA Adapter
IDEATA.HAM      Standard IDE/ATA/ATAPI/SATA Adapter
MEGA_SAS.HAM    LSI MegaRAID SAS Adapter

```

9. Please select **Return to driver summary**.
10. You would see the following message. Please select **Continue** to continue the installation.

The following device drivers were detected for this server. Add, change, or delete device drivers as needed.

```

Device types      Driver names
-----
HotPlug Support  Module: (optional)
Storage adapters:      IDEATA IDEATA MEGA_SAS

```

11. NetWare 6.5 SP7 can detect the onboard Broadcom BCM5721 but we still replace the driver with the one in EasyBuild 8.0 build100 (or later). When you see the following screen, please select **Modify**. Then, move the cursor to Network boards and press **Enter**.

The following device drivers were detected for this server. Add, change, or delete device drivers as needed.

```

Device types      Driver names
-----
Network boards:      B57
NetWare Loadable Modules: (optional)

```

12. Please press **DELETE** key to remove the driver.

13. Please press **INSERT** key twice, insert the driver disk for the onboard Broadcom BCM5721 into floppy and press Enter.
14. After the driver is successfully loaded, you would see the onboard Broadcom BCM5721 listed as below. Then, please select **Return to driver summary**.

```

Driver name      Device Name                                     Status
-----
B57.LAN          Broadcom NetXtrem Gigabit Ethernet Adapter

```

15. You would see the following message. Please select Continue to continue the installation.

The following device drivers were detected for this server. Add, change, or delete device drivers as needed.

```

Device types          Driver names
-----
Network boards:      B57

NetWare Loadable Modules: (optional)

```

16. Please follow the normal procedures to complete the NetWare 6.5 SP7 installation.

APPENDIX A: ONBOARD SATA RAID CREATION

Configuring the onboard SATA RAID

This section briefly shows how to create RAID 1 (mirror) volume with onboard SATA RAID function.

Enable onboard SATA RAID function

To configure onboard SATA RAID, you have to enable the onboard SATA RAID in BIOS first.

1. Press **F2** during the POST to enter the BIOS.
2. After you entering the BIOS, select **Advanced** -> **IDE Configuration**
3. Change the setting of **SATA RAID Enable** form **Disabled** to **Enabled**.
4. Press **F10** and select **Yes** to save the setting and exit the BIOS

Enter the onboard SATA RAID Configuration Utility

When you see the LSI MegaRAID Software RAID information shows on the screen during the POST, press **Ctrl-M** to enter the Embedded RAID Configuration Utility.

Loading onboard SATA RAID default setting

1. Select **Objects** from Management menu.
2. Select **Adapter** from **Objects**. The selectable adapter will be listed.
3. Press Enter on the adapter and the adapter setting will be shown on the screen. You can change the setting from this menu.
4. Select **Factory Default** and **YES** to load the default settings.
5. Exit the configuration utility and press <Ctrl> + <Alt> + to reboot the server.

Create RAID 1 volume

1. Select Configuration from Management Menu.
2. Select New Configuration from the Configuration menu and select YES to continue. An array selection window displays the devices connected to the current controller.
3. Press the arrow keys to choose specific physical drives and press spacebar to associate the selected drive with the current array. The indicator for selected drive change from READY to ONLINE
4. Add 2 drives to current array and press <Enter> to finish creating current array.
5. Press Enter again to select array to configure.
6. Press spacebar to select the array and press <F10> to configure the logical drive

-
7. The default RAID level for 2 disk drives is RAID1. Just select Accept to use the default setting and press <Enter> to return to the ARRAY SELECTION MENU.
 8. Press <Enter> to end the array configuration.
 9. Select YES to Save Configuration and press any key to return to the Configure menu.

Initial RAID Volume

1. Press <Esc> to return to the Management Menu.
2. Select Initialize from Management menu. All logical drives should be listed under Logical Drives.
3. Press <Spacebar> to select drives for initialization. The selected drive will be shown in yellow.
4. After selecting the drives, press <F10> and select YES to start the initialization process.
5. When initialization is complete, press any key to continue.
6. Press <Esc> to return to the Management Menu.

Assigning a Hot Spare Disk

1. Select Objects from Management menu.
2. Select Physical Drive from Objects. All of the HDDs will be listed.
3. Select a drive marked as READY and press Enter.
4. Select Make Hot Spare and press Enter.
5. Select Yes then you will see the HDD is changed from READY to HOTSP.
6. Press <ESC> to return to the Management Menu.

Save and Exit Embedded RAID Configuration Utility

1. When RAID configuration, initialization and assigning hot spare is complete, press <Esc> in the Management Menu and select YES to exit the Embedded RAID Configuration Utility.
2. Press <Ctrl> + <Alt> + to reboot the server.
3. Now you can start to install OS.

APPENDIX B: LSI MEGARAID SAS 8708ELP RAID CREATION

Configuring LSI MegaRAID SAS 8708ELP

This section briefly shows how to create RAID with LSI MegaRAID SAS 8708ELP.

Starting LSI MegaRAID SAS RAID Configuration Utility

To start LSI MegaRAID SAS RAID Configuration Utility for MegaRAID SAS 8708ELP, press **CTRL-H** when you see the RAID BIOS during POST. After POST finished, the Adapter Selection page will show on the screen. Please click on **Start** to launch the configuration menu.

Loading Factory Default Setting

1. In the Configuration menu, select Adapter Properties. The current adapter settings appear. Please click on Next to change the setting.
2. Change the setting of **Set Factory Defaults** from **No** to **Yes** then click on submit.
3. Press **Ctrl+Alt+Del** to reboot the server.

Creating and Initialing a RAID Volume

1. Launch the configuration menu.
2. Select Configuration Wizard
3. Select Add Configuration (default) and click on Next.
4. Select Custom Configuration (default) and click on Next.
5. Hold the Ctrl key and select the drives that you want to add into the array. After you selecting the drives, click on AddtoArray.
6. Click on Accept DG then Next.
7. Select the array you just created, click on Add to SPAN and Next.
8. Select the RAID Level you want to use, create the logical volume by specify the size at Select Size and click on Accept to create the logical volume.
9. Click on Next after you creating the logical volume.
10. Click on Accept and Yes to save the configuration.
11. Click on Yes to initialize the new logical drives. You will see all the logical drives listed.
12. Click on Home to go back to the configuration menu.
13. Now you can reboot the system and install the Operating System. Select Exit, click on Yes and press Ctrl+Alt+Del to reboot the system.

Assigning a Hot Spare Disk

1. Launch the configuration menu.
2. Select a free disk marked as UNCONF GOOD and listed under Physical

Drives.

3. Select Make Global Dedicated HSP or Make Dedicated HSP and click on Go.
4. Click on Home to go back to the configuration menu. You will see the disk marked as Hotsapare in pink and listed under Physical Drives.

APPENDIX C: LSI MEGARAID SAS 8204ELP RAID CREATION

Configuring LSI MegaRAID SAS 8204ELP

This section briefly shows how to create RAID with LSI MegaRAID SAS 8204ELP.

Starting LSI MegaRAID SAS RAID Configuration Utility

To start LSI MegaRAID SAS RAID Configuration Utility for MegaRAID SAS 8204ELP, press **CTRL-M** when you see the RAID BIOS during POST. After POST finished, the Adapter Selection page will show on the screen. Please click on **Start** to launch the configuration menu.

Loading Factory default setting

1. Select **Objects** from Management menu.
2. Select **Adapter** from Objects. The selectable adapter will be listed.
3. Press Enter on the adapter and the adapter setting will be shown on the screen. You can change the setting from this menu.
4. Select **Factory Default** and **Yes** to load the default settings.
5. Exit the configuration utility and press <Ctrl> + <Alt> + to reboot the server.

Creating a RAID volume

1. Select **Configuration** from **Management Menu**.
2. Select **New Configuration** from the **Configuration menu**. An array selection window displays the devices connected to the current controller.
3. Press the arrow keys to choose specific physical drives and press spacebar to associate the selected drive with the current array. The indicator for selected drive change from **READY** to **ONLINE**.
4. After you adding the drives to current array, press **Enter** to finish creating current array.
5. Press **Enter** again to select array to configure.
6. Press **spacebar** to select the array and press **F10** to configure the logical drive
7. Select **Accept** and press **Enter** to use the default setting for the RAID volume.
8. Press **Enter** to end the array configuration.
9. Select **YES** to Save Configuration and press any key to return to the **Configuration menu**.
10. Press **ESC** to return to the **Management Menu**

Initial RAID Volume

1. Select **Initialize** from **Management menu**. All logical drives should be

listed under **Logical Drives**.

2. Press **Spacebar** to select drives for initialization. The selected drive will be shown in yellow.
3. After selecting the drives, press **F10** and select **YES** to start the initialization process.
4. When initialization is complete, press **ESC** to continue.
5. Press **ESC** to return to the **Management Menu**.

Assigning a Hot Spare Disk

1. Select **Objects** from **Management menu**.
2. Select **Physical Drive** from **Objects**. All of the HDDs will be listed.
3. Select a drive marked as **READY** and press **Enter**.
4. Select **Make Hot Spare** and press **Enter**.
5. Select **Yes** then you will see the HDD is changed from **READY** to **HOTSP**.
6. Press **ESC** to return to the **Management Menu**.

Save and Exit LSI RAID Configuration Utility

1. When RAID configuration, initialization and assigning hot spare is completed, press **ESC** in the **Management Menu** and select **YES** to exit the RAID Configuration Utility.
2. Press **Ctrl + Alt + Del** to reboot the server.
3. Now you can start to install OS.